



## KTA SPINDLE TOOLINGS

A Tool Holder Company

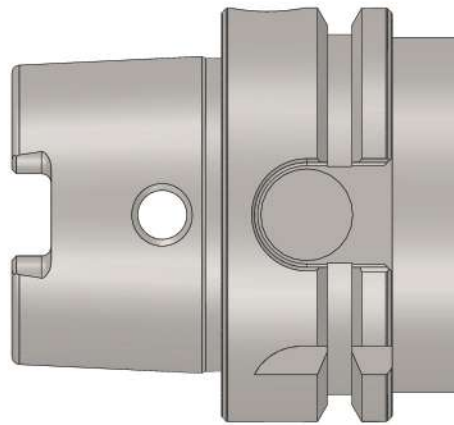
[www.ktaspindletoolings.com](http://www.ktaspindletoolings.com)












Check Stock @ Link  
<http://119.81.67.54/CRMWebsite/ViewCurrentStockPosition.aspx>  
And send enquiry to the nearest dealer.

# 2019









## Precision Tool Holders HSK-A (DIN 69893-1)

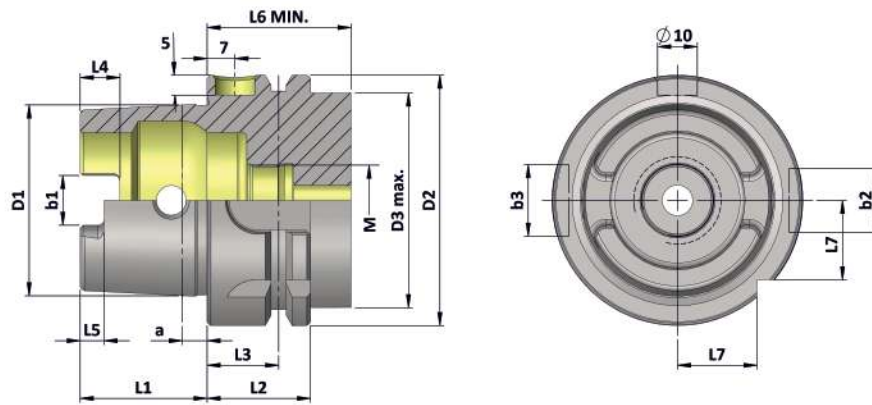


## INDEX

Sr. No.	Contents		Page No.
1	Technical Information: HSK - A (DIN 69893-1)		143
2	<b>Collet Chuck ER (DIN 6499)</b> <ul style="list-style-type: none"> <li>• Collet Chuck ER</li> <li>• Collet Chuck ER "M" Type</li> </ul>		144 - 145
3	<b>Weldon Type End Mill Holders (DIN 6359)</b> <ul style="list-style-type: none"> <li>• Weldon (WE)</li> <li>• Weldon (WE) FCC</li> </ul>		146 - 149
4	<b>Face Mill Holders (DIN 6357)</b> <ul style="list-style-type: none"> <li>• FMH</li> <li>• FMH-K (Through Coolant)</li> </ul>		150 - 151
5	Combi Shell Mill Adaptor (CSMA) (DIN 6358)		152
6	Morse Taper Adaptor (MTA) (DIN 6383)		153
7	Reduction Sleeve (HSK- A 100 x ISO 50)		154
8	Boring Bar Blank		155
9	Master Mandrell		156
10	NC Drill Chuck (NCDC)		157

## INDEX

Sr. No.	Contents		Page No.
11	Die & Mould Chuck (DMC)		158 - 159
12	Power Milling Chuck (PMC)		160 - 161
13	Milling Cutter Arbor (MCA)		162 - 163
14	<b>Shrink Fit Holders 4.5 Degree (SFH 4.5°)</b> <ul style="list-style-type: none"> <li>• Shrink Fit Holder (SFH 4.5°)</li> <li>• Shrink Fit Holder (SFH FCC 4.5°) (Face Coolant Channel)</li> </ul>		164 - 170
15	<b>Shrink Fit Holders Slim 3 Degree (SFH Slim 3°)</b> <ul style="list-style-type: none"> <li>• Shrink Fit Holder (SFH Slim 3°)</li> </ul>		171 - 172
16	Hydraulic Expansion Chuck (HC)		173
17	Minimum Length Compensation Tapping Chuck (MLC)		174 - 175
18	Quick Change Tapping Chuck (KWFLK)		176 - 177



HSK - A (DIN 69893 - 1)  
Holders

HSK-A	D1	D2	D3	a	b1	b2	b3	M	L1	L2	L3	L4	L5	L6	L7
50	38	50	42	5.0	10.54	12	14	M16X1	25	26	18	7.5	4.5	42	15.5
63	48	63	53	6.3	12.54	16	18	M18X1	32	26	18	10.0	6.0	42	20
100	75	100	88	10.0	20.02	20	22	M24X1.5	50	29	20	15.0	10.0	45	31.5

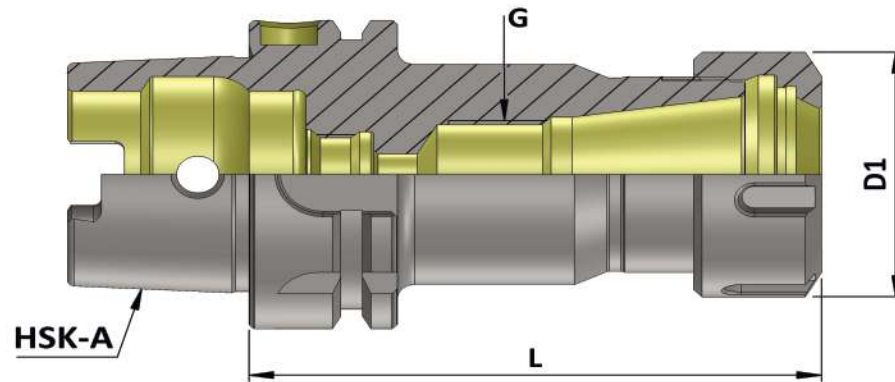
Material :- Case hardened steel, tensile strength in the core min. 950 N/mm<sup>2</sup>

Execution :- Case hardened to HRC 58 ± 2, Case Depth 0.8 mm., Silver finish.

Accuracy :- Taper Angle Class AT 3

Maximum Run out of the Internal Taper with respect to the External Taper 0.005 mm

HSK - A (DIN 69893 - 1)  
Holders



**HSK-A (DIN 69893-1) Collet Chuck (ER)**

**(Balanced to 6.3 G 20000 RPM)**

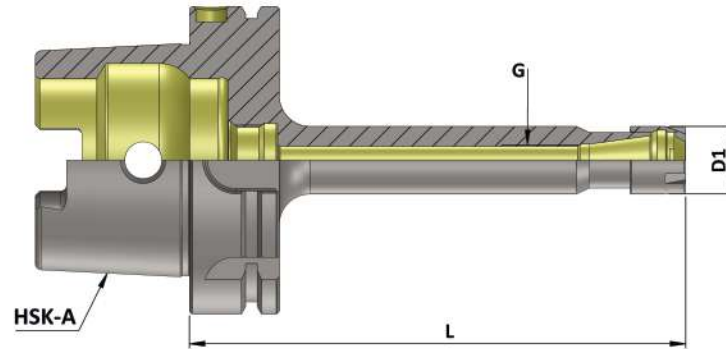
Item Name	Item Code	HSK-A	Suitable Collet	Collet Capacity	D1	G	L	Nut	Spanner
HSK-A 50 ER 16 060 6.3G 20000 SL	K10166149117209	50	ER 16	0.5-10	32	M10X1	60	UM/ER16	E16
HSK-A 50 ER 16 100 6.3G 20000 SL	K10166149148209	50	ER 16	0.5-10	32	M10X1	100	UM/ER16	E16
HSK-A 50 ER 20 100 6.3G 20000 SL	K10166150148209	50	ER 20	1.0-13	35	M10X1	100	UM/ER20	E20
HSK-A 50 ER 25 070 6.3G 20000 SL	K10166151125209	50	ER 25	1.0-16	42	M18X1	70	UM/ER25	E25
HSK-A 50 ER 25 100 6.3G 20000 SL	K10166151148209	50	ER 25	1.0-16	42	M18X1	100	UM/ER25	E25
HSK-A 50 ER 32 080 6.3G 20000 SL	K10166152131209	50	ER 32	2.0-20	50	M22X1.5	80	UM/ER32	E32
HSK-A 50 ER 32 100 6.3G 20000 SL	K10166152148209	50	ER 32	2.0-20	50	M22X1.5	100	UM/ER32	E32
HSK-A 50 ER 40 080 6.3G 20000 SL	K10166153131209	50	ER 40	3.0-26	63	M30X1.5	80	UM/ER40	E40

HSK-A 63 ER 16 100 6.3G 20000 SL	K10167149148209	63	ER 16	0.5-10	32	M10X1	100	UM/ER16	E16
HSK-A 63 ER 16 160 6.3G 20000 SL	K10167149175209	63	ER 16	0.5-10	32	M10X1	160	UM/ER16	E16
HSK-A 63 ER 20 100 6.3G 20000 SL	K10167150148209	63	ER 20	1.0-13	35	M10X1	100	UM/ER20	E20
HSK-A 63 ER 20 160 6.3G 20000 SL	K10167150175209	63	ER 20	1.0-13	35	M10X1	160	UM/ER20	E20
HSK-A 63 ER 25 100 6.3G 20000 SL	K10167151148209	63	ER 25	1.0-16	42	M18X1	100	UM/ER25	E25
HSK-A 63 ER 25 160 6.3G 20000 SL	K10167151175209	63	ER 25	1.0-16	42	M18X1	160	UM/ER25	E25
HSK-A 63 ER 32 100 6.3G 20000 SL	K10167152148209	63	ER 32	2.0-20	50	M22X1.5	100	UM/ER32	E32
HSK-A 63 ER 32 160 6.3G 20000 SL	K10167152175209	63	ER 32	2.0-20	50	M22X1.5	160	UM/ER32	E32
HSK-A 63 ER 40 120 6.3G 20000 SL	K10167153162209	63	ER 40	3.0-26	63	M30X1.5	120	UM/ER40	E40
HSK-A 63 ER 40 160 6.3G 20000 SL	K10167153175209	63	ER 40	3.0-26	63	M30X1.5	160	UM/ER40	E40

HSK-A 100 ER 25 100 6.3G 20000 SL	K10168151148209	100	ER 25	1.0-16	42	M18X1	100	UM/ER25	E25
HSK-A 100 ER 25 160 6.3G 20000 SL	K10168151175209	100	ER 25	1.0-16	42	M18X1	160	UM/ER25	E25
HSK-A 100 ER 32 100 6.3G 20000 SL	K10168152148209	100	ER 32	2.0-20	50	M22X1.5	100	UM/ER32	E32
HSK-A 100 ER 32 160 6.3G 20000 SL	K10168152175209	100	ER 32	2.0-20	50	M22X1.5	160	UM/ER32	E32
HSK-A 100 ER 40 120 6.3G 20000 SL	K10168153162209	100	ER 40	3.0-26	63	M30X1.5	120	UM/ER40	E40
HSK-A 100 ER 40 160 6.3G 20000 SL	K10168153175209	100	ER 40	3.0-26	63	M30X1.5	160	UM/ER40	E40

Note: All Dimensions are in mm  
For Necessary Accessories Selection Please Go Through Page No. 145

Maximum Run out of the Internal Taper with respect to the External Taper 0.005 mm



HSK - A (DIN 69893 - 1)  
Holders

**HSK-A (DIN 69893-1) Collet Chuck ER-M Type**

**(Balanced to 2.5 G 25000 RPM)**

Item Name	Item Code	HSK-A	Suitable Collet	Collet Capacity	D1	G	L	Nut	Spanner
HSK-A 63 ER11M 100 2.5G 25000 SL	K10167156148114	63	ER 11	0.5-7	16	M6X1	100	ER11M	E11M
HSK-A 63 ER11M 160 2.5G 25000 SL	K10167156175114	63	ER 11	0.5-7	16	M6X1	160	ER11M	E11M
HSK-A 63 ER16M 100 2.5G 25000 SL	K10167157148114	63	ER 16	0.5-10	22	M10X1	100	ER16M	E16M
HSK-A 63 ER16M 160 2.5G 25000 SL	K10167157175209	63	ER 16	0.5-10	22	M10X1	160	ER16M	E16M
HSK-A 63 ER25M 100 2.5G 25000 SL	K10167159148209	63	ER 25	1.0-16	35	M18X1	100	ER25M	E25M
HSK-A 63 ER25M 160 2.5G 25000 SL	K10167159175209	63	ER 25	1.0-16	35	M18X1	160	ER25M	E25M
HSK-A 100 ER16M 100 2.5G 25000 SL	K10168157148209	100	ER 16	0.5-10	22	M10X1	100	ER16M	E16M

**Accessories:**



Collet ER (DIN 6499)  
Ref. Page No. 233-237



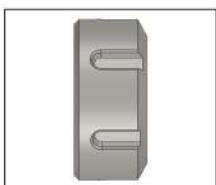
Tap Collet ER-G  
Ref. Page No. 238-240



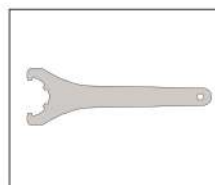
Q.C. Tap Collet QCTC  
Ref. Page No. 243-251



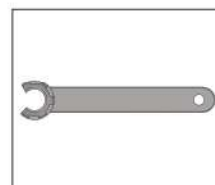
Sealing Disc  
Ref. Page No. 226-231



ER Nut & ER Sealed Nut & ER M Nut  
Ref. Page No. 220-221  
& 224-225

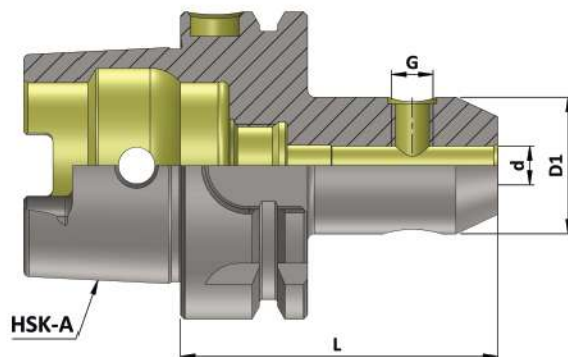


ER Spanner & ER M Type Spanner  
Ref. Page No. 222



Note: All Dimensions are in mm

Maximum Run out of the Internal Dia with respect to the External Taper 0.005 mm



HSK - A (DIN 69893 - 1)  
Holders

**HSK-A (DIN 69893-1) (WE)**

**(Balanced to 6.3 G 20000 RPM)**

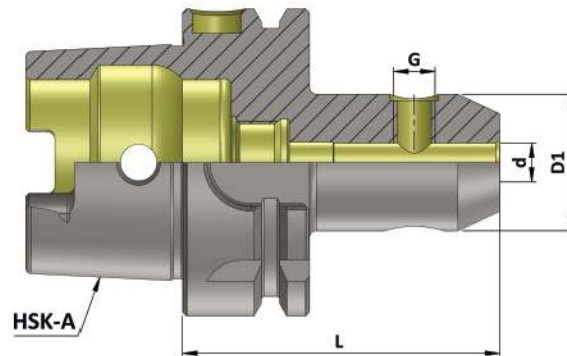
Item Name	Item Code	HSK-A	d	D1	G	L	Screw Qty
HSK-A 50 WE06 065 6.3G 20000 SL	K10166111123209	50	6	25	M6	65	1
HSK-A 50 WE08 065 6.3G 20000 SL	K10166112123209	50	8	28	M8	65	1
HSK-A 50 WE10 065 6.3G 20000 SL	K10166113123209	50	10	35	M10	65	1
HSK-A 50 WE12 080 6.3G 20000 SL	K10166114131209	50	12	42	M12	80	1
HSK-A 50 WE14 080 6.3G 20000 SL	K10166258131209	50	14	44	M12	80	1
HSK-A 50 WE16 080 6.3G 20000 SL	K10166115131209	50	16	48	M14	80	1
HSK-A 50 WE18 080 6.3G 20000 SL	K10166259131209	50	18	50	M14	80	1
HSK-A 50 WE20 080 6.3G 20000 SL	K10166116131209	50	20	52	M16	80	1
HSK-A 50 SLA 25 100 6.3G 20000 SL	K10166107148209	50	25	50	M10	100	1

HSK-A 63 WE06 065 6.3G 20000 SL	K10167111123209	63	6	25	M6	65	1
HSK-A 63 WE06 100 6.3G 20000 SL	K10167111148209	63	6	25	M6	100	1
HSK-A 63 WE06 160 6.3G 20000 SL	K10167111175209	63	6	25	M6	160	1
HSK-A 63 WE08 065 6.3G 20000 SL	K10167112123209	63	8	28	M8	65	1
HSK-A 63 WE08 100 6.3G 20000 SL	K10167112148209	63	8	28	M8	100	1
HSK-A 63 WE08 160 6.3G 20000 SL	K10167112175209	63	8	28	M8	160	1
HSK-A 63 WE10 065 6.3G 20000 SL	K10167113123209	63	10	35	M10	65	1
HSK-A 63 WE10 100 6.3G 20000 SL	K10167113148209	63	10	35	M10	100	1
HSK-A 63 WE10 160 6.3G 20000 SL	K10167113175209	63	10	35	M10	160	1
HSK-A 63 WE12 080 6.3G 20000 SL	K10167114131209	63	12	42	M12	80	1
HSK-A 63 WE12 100 6.3G 20000 SL	K10167114148209	63	12	42	M12	100	1
HSK-A 63 WE12 160 6.3G 20000 SL	K10167114175209	63	12	42	M12	160	1
HSK-A 63 WE14 080 6.3G 20000 SL	K10167258131209	63	14	44	M12	80	1
HSK-A 63 WE14 100 6.3G 20000 SL	K10167258148209	63	14	44	M12	100	1
HSK-A 63 WE14 160 6.3G 20000 SL	K10167258175209	63	14	44	M12	160	1
HSK-A 63 WE16 080 6.3G 20000 SL	K10167115131209	63	16	48	M14	80	1
HSK-A 63 WE16 100 6.3G 20000 SL	K10167115148209	63	16	48	M14	100	1
HSK-A 63 WE16 160 6.3G 20000 SL	K10167115175209	63	16	48	M14	160	1
HSK-A 63 WE18 080 6.3G 20000 SL	K10167259131209	63	18	50	M14	80	1
HSK-A 63 WE18 100 6.3G 20000 SL	K10167259148209	63	18	50	M14	100	1
HSK-A 63 WE18 160 6.3G 20000 SL	K10167259175209	63	18	50	M14	160	1

Note: All Dimensions are in mm  
 These Holders are most suitable for Weldon Type End Mill as per standard DIN 1835 - B



Maximum Run out of the Internal Dia with respect to the External Taper 0.005 mm



**HSK-A (DIN 69893 - 1) WE**

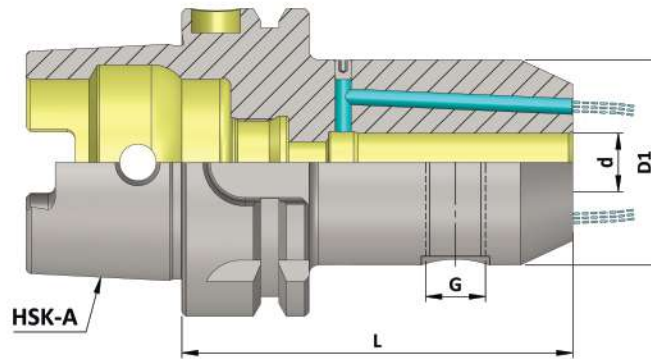
**(Balanced to 6.3 G 20000 RPM)**

Item Name	Item Code	HSK-A	d	D1	G	L	Screw Qty
HSK-A 63 WE 20 080 6.3G 20000 SL	K10167116131209	63	20	52	M16	80	1
HSK-A 63 WE 20 100 6.3G 20000 SL	K10167116148209	63	20	52	M16	100	1
HSK-A 63 WE 20 160 6.3G 20000 SL	K10167116175209	63	20	52	M16	160	1
HSK-A 63 WE 25 110 6.3G 20000 SL	K10167117156209	63	25	65	M18X2	110	2
HSK-A 63 WE 25 160 6.3G 20000 SL	K10167117175209	63	25	65	M18X2	160	2
HSK-A 63 WE 32 110 6.3G 20000 SL	K10167118156209	63	32	72	M20X2	110	2
HSK-A 63 WE 32 160 6.3G 20000 SL	K10167118175209	63	32	72	M20X2	160	2
HSK-A 63 WE 40 125 6.3G 20000 SL	K10167119164209	63	40	80	M20X2	125	2
HSK-A 63 WE 40 160 6.3G 20000 SL	K10167119175209	63	40	80	M20X2	160	2
HSK-A 100 WE 06 080 6.3G 20000 SL	K10168111131209	100	6	25	M6	80	1
HSK-A 100 WE 06 160 6.3G 20000 SL	K10168111175209	100	6	25	M6	160	1
HSK-A 100 WE 08 080 6.3G 20000 SL	K10168112131209	100	8	28	M8	80	1
HSK-A 100 WE 08 160 6.3G 20000 SL	K10168112175209	100	8	28	M8	160	1
HSK-A 100 WE 10 080 6.3G 20000 SL	K10168113131209	100	10	35	M10	80	1
HSK-A 100 WE 10 160 6.3G 20000 SL	K10168113175209	100	10	35	M10	160	1
HSK-A 100 WE 12 100 6.3G 20000 SL	K10168114148209	100	12	42	M12	100	1
HSK-A 100 WE 12 160 6.3G 20000 SL	K10168114175209	100	12	42	M12	160	1
HSK-A 100 WE 14 100 6.3G 20000 SL	K10168258148209	100	14	44	M12	100	1
HSK-A 100 WE 14 160 6.3G 20000 SL	K10168258175209	100	14	44	M12	160	1
HSK-A 100 WE 16 100 6.3G 20000 SL	K10168115148209	100	16	48	M14	100	1
HSK-A 100 WE 16 160 6.3G 20000 SL	K10168115175209	100	16	48	M14	160	1
HSK-A 100 WE 18 100 6.3G 20000 SL	K10168259148209	100	18	50	M14	100	1
HSK-A 100 WE 18 160 6.3G 20000 SL	K10168259175209	100	18	50	M14	160	1
HSK-A 100 WE 20 100 6.3G 20000 SL	K10168116148209	100	20	52	M16	100	1
HSK-A 100 WE 20 160 6.3G 20000 SL	K10168116175209	100	20	52	M16	160	1
HSK-A 100 WE 25 100 6.3G 20000 SL	K10168117148209	100	25	65	M18X2	100	2
HSK-A 100 WE 25 160 6.3G 20000 SL	K10168117175209	100	25	65	M18X2	160	2
HSK-A 100 WE 32 120 6.3G 20000 SL	K10168118162209	100	32	72	M20X2	120	2
HSK-A 100 WE 32 160 6.3G 20000 SL	K10168118175209	100	32	72	M20X2	160	2
HSK-A 100 WE 40 120 6.3G 20000 SL	K10168119162209	100	40	80	M20X2	120	2
HSK-A 100 WE 50 130 6.3G 20000 SL	K10168120165209	100	50	100	M24X2	130	2

Note: All Dimensions are in mm  
 These Holders are most suitable for Weldon Type End Mill as per standard DIN 1835 - B

Maximum Run out of the Internal Dia with respect to the External Taper 0.005 mm

HSK - A (DIN 69893 - 1)  
Holders



**HSK-A (DIN 69893 - 1) WE FCC**

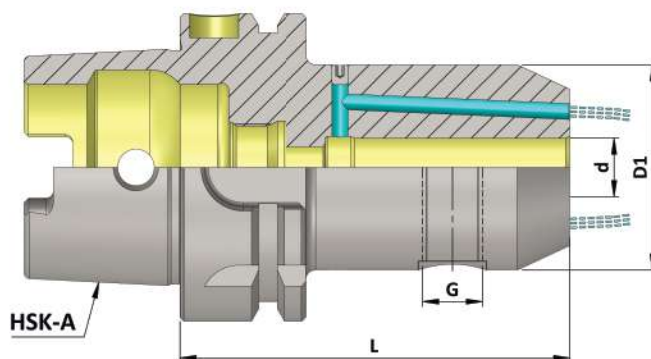
**(Balanced to 2.5 G 25000 RPM)**

Item Name	Item Code	HSK-A	d	D1	G	L	Screw Qty
HSK-A 50 WE06 065 FCC 2.5G25000 SL	K10306111123256	50	6	25	M6	65	1
HSK-A 50 WE08 065 FCC 2.5G 25000 SL	K10306112123256	50	8	28	M8	65	1
HSK-A 50 WE10 065 FCC 2.5G 25000 SL	K10306113123256	50	10	35	M10	65	1
HSK-A 50 WE12 080 FCC 2.5G 25000 SL	K10306114131256	50	12	42	M12	80	1
HSK-A 50 WE14 080 FCC 2.5G 25000 SL	K10306258131256	50	14	44	M12	80	1
HSK-A 50 WE16 080 FCC 2.5G 25000 SL	K10306115131256	50	16	48	M14	80	1
HSK-A 50 WE18 080 FCC 2.5G 25000 SL	K10306259131256	50	18	50	M14	80	1
HSK-A 50 WE20 080 FCC 2.5G 25000 SL	K10306116131256	50	20	52	M16	80	1

HSK-A 63 WE06 065 FCC 2.5G 25000 SL	K10305111123264	63	6	25	M6	65	1
HSK-A 63 WE06 100 FCC 2.5G 25000 SL	K10305111148264	63	6	25	M6	100	1
HSK-A 63 WE06 160 FCC 2.5G 25000 SL	K10305111175264	63	6	25	M6	160	1
HSK-A 63 WE08 065 FCC 2.5G 25000 SL	K10305112123264	63	8	28	M8	65	1
HSK-A 63 WE08 100 FCC 2.5G 25000 SL	K10305112148264	63	8	28	M8	100	1
HSK-A 63 WE08 160 FCC 2.5G 25000 SL	K10305112175264	63	8	28	M8	160	1
HSK-A 63 WE10 065 FCC 2.5G 25000 SL	K10305113123264	63	10	35	M10	65	1
HSK-A 63 WE10 100 FCC 2.5G 25000 SL	K10305113148264	63	10	35	M10	100	1
HSK-A 63 WE10 160 FCC 2.5G 25000 SL	K10305113175264	63	10	35	M10	160	1
HSK-A 63 WE12 080 FCC 2.5G 25000 SL	K10305114131264	63	12	42	M12	80	1
HSK-A 63 WE12 100 FCC 2.5G 25000 SL	K10305114148264	63	12	42	M12	100	1
HSK-A 63 WE12 160 FCC 2.5G 25000 SL	K10305114175264	63	12	42	M12	160	1
HSK-A 63 WE14 080 FCC 2.5G 25000 SL	K10305258131264	63	14	44	M12	80	1
HSK-A 63 WE14 100 FCC 2.5G 25000 SL	K10305258148264	63	14	44	M12	100	1
HSK-A 63 WE14 160 FCC 2.5G 25000 SL	K10305258175264	63	14	44	M12	160	1
HSK-A 63 WE16 080 FCC 2.5G 25000 SL	K10305115131264	63	16	48	M14	80	1
HSK-A 63 WE16 100 FCC 2.5G 25000 SL	K10305115148264	63	16	48	M14	100	1
HSK-A 63 WE16 160 FCC 2.5G 25000 SL	K10305115175264	63	16	48	M14	160	1
HSK-A 63 WE18 080 FCC 2.5G 25000 SL	K10305259131264	63	18	50	M14	80	1
HSK-A 63 WE18 100 FCC 2.5G 25000 SL	K10305259148264	63	18	50	M14	100	1
HSK-A 63 WE18 160 FCC 2.5G 25000 SL	K10305259175264	63	18	50	M14	160	1
HSK-A 63 WE20 080 FCC 2.5G 25000 SL	K10305116131264	63	20	52	M16	80	1
HSK-A 63 WE20 100 FCC 2.5G 25000 SL	K10305116148264	63	20	52	M16	100	1
HSK-A 63 WE20 160 FCC 2.5G 25000 SL	K10305116175264	63	20	52	M16	160	1

Note: All Dimensions are in mm  
 These Holders are most suitable for Weldon Type End Mill as per standard DIN 1835 - B

Maximum Run out of the Internal Dia with respect to the External Taper 0.005 mm



HSK - A (DIN 69893 - 1)  
Holders

**HSK-A (DIN 69893 - 1) WE FCC**

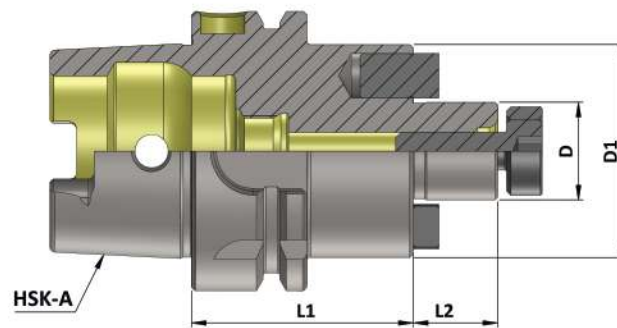
**(Balanced to 2.5 G 25000 RPM)**

Item Name	Item Code	HSK-A	d	D1	G	L	Screw Qty.
HSK-A 63 WE25 110 FCC 2.5G 25000 SL	K10305117156264	63	25	65	M18X2	110	2
HSK-A 63 WE25 160 FCC 2.5G 25000 SL	K10305117175264	63	25	65	M18X2	160	2
HSK-A 63 WE32 110 FCC 2.5G 25000 SL	K10305118156264	63	32	72	M20X2	110	2
HSK-A 63 WE32 160 FCC 2.5G 25000 SL	K10305118175264	63	32	72	M20X2	160	2
HSK-A 63 WE40 125 FCC 2.5G 25000 SL	K10305119164264	63	40	80	M20X2	125	2
HSK-A 63 WE40 160 FCC 2.5G 25000 SL	K10305119175264	63	40	80	M20X2	160	2

HSK-A 100 WE06 080 FCC 2.5G 25000 SL	K10168111131264	100	6	25	M6	80	1
HSK-A 100 WE06 160 FCC 2.5G 25000 SL	K10168111175264	100	6	25	M6	160	1
HSK-A 100 WE08 080 FCC 2.5G 25000 SL	K10168112131264	100	8	28	M8	80	1
HSK-A 100 WE08 160 FCC 2.5G 25000 SL	K10168112175264	100	8	28	M8	160	1
HSK-A 100 WE10 080 FCC 2.5G 25000 SL	K10168113131264	100	10	35	M10	80	1
HSK-A 100 WE10 160 FCC 2.5G 25000 SL	K10168113175264	100	10	35	M10	160	1
HSK-A 100 WE12 100 FCC 2.5G 25000 SL	K10168114148264	100	12	42	M12	100	1
HSK-A 100 WE12 160 FCC 2.5G 25000 SL	K10168114175264	100	12	42	M12	160	1
HSK-A 100 WE14 100 FCC 2.5G 25000 SL	K10168258148264	100	14	44	M12	100	1
HSK-A 100 WE14 160 FCC 2.5G 25000 SL	K10168258175264	100	14	44	M12	160	1
HSK-A 100 WE16 100 FCC 2.5G 25000 SL	K10168115148264	100	16	48	M14	100	1
HSK-A 100 WE16 160 FCC 2.5G 25000 SL	K10168115175264	100	16	48	M14	160	1
HSK-A 100 WE18 100 FCC 2.5G 25000 SL	K10168259148264	100	18	50	M14	100	1
HSK-A 100 WE18 160 FCC 2.5G 25000 SL	K10168259175264	100	18	50	M14	160	1
HSK-A 100 WE20 100 FCC 2.5G 25000 SL	K10168116148264	100	20	52	M16	100	1
HSK-A 100 WE20 160 FCC 2.5G 25000 SL	K10168116175264	100	20	52	M16	160	1
HSK-A 100 WE25 100 FCC 2.5G 25000 SL	K10168117148264	100	25	65	M18X2	100	2
HSK-A 100 WE25 160 FCC 2.5G 25000 SL	K10168117175264	100	25	65	M18X2	160	2
HSK-A 100 WE32 120 FCC 2.5G 25000 SL	K10168118162264	100	32	72	M20X2	120	2
HSK-A 100 WE32 160 FCC 2.5G 25000 SL	K10168118175264	100	32	72	M20X2	160	2
HSK-A 100 WE40 120 FCC 2.5G 25000 SL	K10168119162264	100	40	80	M20X2	120	2
HSK-A 100 WE50 130 FCC 2.5G 25000 SL	K10168120165264	100	50	100	M24X2	130	2

Note: All Dimensions are in mm  
 These Holders are most suitable for Weldon Type End Mill as per standard DIN 1835 - B

Maximum Run out of the External Dia with respect to the External Taper 0.005 mm



HSK - A (DIN 69893 - 1)  
Holders

**HSK-A(DIN 69893-1) (FMH)**

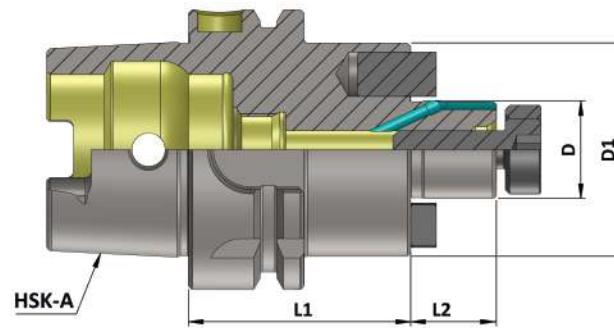
**(Balanced to 6.3 G 20000 RPM)**

Item Name	Item Code	HSK-A	D	D1	L1	L2
HSK-A 50 FMH16 050 6.3G 20000 SL S.P.S	K10166126111236	50	16	38	50	17
HSK-A 50 FMH22 060 6.3G 20000 SL S.P.S	K10166127117236	50	22	48	60	19
HSK-A 50 FMH27 060 6.3G 20000 SL S.P.S	K10166128117236	50	27	58	60	21
HSK-A 50 FMH32 060 6.3G 20000 SL S.P.S	K10166129117236	50	32	78	60	24

HSK-A 63 FMH16 045 6.3G 20000 SL S.P.S	K10167126108236	63	16	38	45	17
HSK-A 63 FMH16 100 6.3G 20000 SL S.P.S	K10167126148236	63	16	38	100	17
HSK-A 63 FMH16 160 6.3G 20000 SL S.P.S	K10167126175236	63	16	38	160	17
HSK-A 63 FMH22 050 6.3G 20000 SL S.P.S	K10167127111236	63	22	48	50	19
HSK-A 63 FMH22 100 6.3G 20000 SL S.P.S	K10167127148236	63	22	48	100	19
HSK-A 63 FMH22 160 6.3G 20000 SL S.P.S	K10167127175236	63	22	48	160	19
HSK-A 63 FMH27 055 6.3G 20000 SL S.P.S	K10167128115236	63	27	58	55	21
HSK-A 63 FMH27 100 6.3G 20000 SL S.P.S	K10167128148236	63	27	58	100	21
HSK-A 63 FMH27 160 6.3G 20000 SL S.P.S	K10167128175236	63	27	58	160	21
HSK-A 63 FMH32 060 6.3G 20000 SL S.P.S	K10167129117236	63	32	78	60	24
HSK-A 63 FMH32 100 6.3G 20000 SL S.P.S	K10167129148236	63	32	78	100	24
HSK-A 63 FMH32 160 6.3G 20000 SL S.P.S	K10167129175236	63	32	78	160	24
HSK-A 63 FMH40 065 6.3G 20000 SL S.P.S	K10167130123236	63	40	88	65	27
HSK-A 63 FMH40 100 6.3G 20000 SL S.P.S	K10167130148236	63	40	88	100	27
HSK-A 63 FMH40 160 6.3G 20000 SL S.P.S	K10167130175236	63	40	88	160	27

HSK-A 100 FMH16 055 6.3G 20000 SL S.P.S	K10168126115236	100	16	38	55	17
HSK-A 100 FMH16 100 6.3G 20000 SL S.P.S	K10168126148236	100	16	38	100	17
HSK-A 100 FMH16 160 6.3G 20000 SL S.P.S	K10168126175236	100	16	38	160	17
HSK-A 100 FMH22 055 6.3G 20000 SL S.P.S	K10168127115236	100	22	48	55	19
HSK-A 100 FMH22 100 6.3G 20000 SL S.P.S	K10168127148236	100	22	48	100	19
HSK-A 100 FMH22 160 6.3G 20000 SL S.P.S	K10168127175236	100	22	48	160	19
HSK-A 100 FMH27 055 6.3G 20000 SL S.P.S	K10168128115236	100	27	58	55	21
HSK-A 100 FMH27 100 6.3G 20000 SL S.P.S	K10168128148236	100	27	58	100	21
HSK-A 100 FMH27 160 6.3G 20000 SL S.P.S	K10168128175236	100	27	58	160	21
HSK-A 100 FMH32 060 6.3G 20000 SL S.P.S	K10168129117236	100	32	78	60	24
HSK-A 100 FMH32 100 6.3G 20000 SL S.P.S	K10168129148236	100	32	78	100	24
HSK-A 100 FMH32 160 6.3G 20000 SL S.P.S	K10168129175236	100	32	78	160	24
HSK-A 100 FMH40 065 6.3G 20000 SL S.P.S	K10168130123236	100	40	88	65	27
HSK-A 100 FMH40 100 6.3G 20000 SL S.P.S	K10168267148236	100	40	88	100	27
HSK-A 100 FMH40 160 6.3G 20000 SL S.P.S	K10168608175236	100	40	88	160	27

Maximum Run out of the External Dia with respect to the External Taper 0.005 mm



HSK - A (DIN 69893 - 1)  
Holders

**HSK-A(DIN 69893-1) (FMH-K)**

**(Balanced to 6.3 G 20000 RPM)**

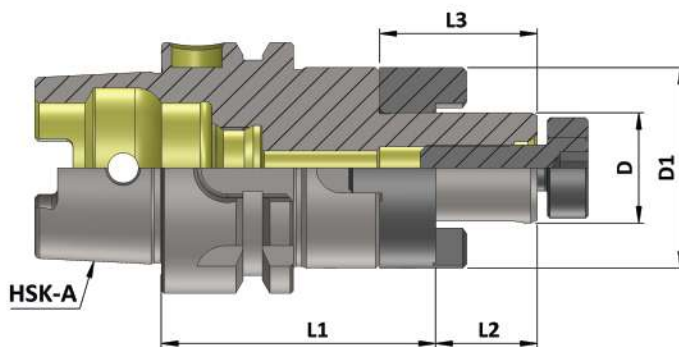
Item Name	Item Code	HSK-A	D	D1	L1	L2
HSK-A 50 FMH-K16 050 6.3G 20000 SL S.P.S	K10166131111236	50	16	38	50	17
HSK-A 50 FMH-K22 060 6.3G 20000 SL S.P.S	K10166132115236	50	22	48	60	19
HSK-A 50 FMH-K27 060 6.3G 20000 SL S.P.S	K10166133117236	50	27	58	60	21
HSK-A 50 FMH-K32 060 6.3G 20000 SL S.P.S	K10166134117236	50	32	78	60	24

HSK-A 63 FMH-K16 045 6.3G 20000 SL S.P.S	K10167131108236	63	16	38	45	17
HSK-A 63 FMH-K16 100 6.3G 20000 SL S.P.S	K10167131148236	63	16	38	100	17
HSK-A 63 FMH-K16 160 6.3G 20000 SL S.P.S	K10167131175236	63	16	38	160	17
HSK-A 63 FMH-K22 050 6.3G 20000 SL S.P.S	K10167132111236	63	22	48	50	19
HSK-A 63 FMH-K22 100 6.3G 20000 SL S.P.S	K10167132148236	63	22	48	100	19
HSK-A 63 FMH-K22 160 6.3G 20000 SL S.P.S	K10167132175236	63	22	48	160	19
HSK-A 63 FMH-K27 055 6.3G 20000 SL S.P.S	K10167133115236	63	27	58	55	21
HSK-A 63 FMH-K27 100 6.3G 20000 SL S.P.S	K10167133148236	63	27	58	100	21
HSK-A 63 FMH-K27 160 6.3G 20000 SL S.P.S	K10167133175236	63	27	58	160	21
HSK-A 63 FMH-K32 060 6.3G 20000 SL S.P.S	K10167134117236	63	32	78	60	24
HSK-A 63 FMH-K32 100 6.3G 20000 SL S.P.S	K10167134148236	63	32	78	100	24
HSK-A 63 FMH-K32 160 6.3G 20000 SL S.P.S	K10167134175236	63	32	78	160	24
HSK-A 63 FMH-K40 065 6.3G 20000 SL S.P.S	K10167135123236	63	40	88	65	27
HSK-A 63 FMH-K40 100 6.3G 20000 SL S.P.S	K10167135148236	63	40	88	100	27
HSK-A 63 FMH-K40 160 6.3G 20000 SL S.P.S	K10167135175236	63	40	88	160	27

HSK-A 100 FMH-K16 055 6.3G 20000 SL S.P.S	K10168131115236	100	16	38	55	17
HSK-A 100 FMH-K16 100 6.3G 20000 SL S.P.S	K10168131148236	100	16	38	100	17
HSK-A 100 FMH-K16 160 6.3G 20000 SL S.P.S	K10168131175236	100	16	38	160	17
HSK-A 100 FMH-K22 055 6.3G 20000 SL S.P.S	K10168132115236	100	22	48	55	19
HSK-A 100 FMH-K22 100 6.3G 20000 SL S.P.S	K10168132148236	100	22	48	100	19
HSK-A 100 FMH-K22 160 6.3G 20000 SL S.P.S	K10168132175236	100	22	48	160	19
HSK-A 100 FMH-K27 055 6.3G 20000 SL S.P.S	K10168133115236	100	27	58	55	21
HSK-A 100 FMH-K27 100 6.3G 20000 SL S.P.S	K10168133148236	100	27	58	100	21
HSK-A 100 FMH-K27 160 6.3G 20000 SL S.P.S	K10168133175236	100	27	58	160	21
HSK-A 100 FMH-K32 060 6.3G 20000 SL S.P.S	K10168134117236	100	32	78	60	24
HSK-A 100 FMH-K32 100 6.3G 20000 SL S.P.S	K10168134148236	100	32	78	100	24
HSK-A 100 FMH-K32 160 6.3G 20000 SL S.P.S	K10168134175236	100	32	78	160	24
HSK-A 100 FMH-K40 065 6.3G 20000 SL S.P.S	K10168135123236	100	40	88	65	27
HSK-A 100 FMH-K40 100 6.3G 20000 SL S.P.S	K10168135148236	100	40	88	100	27

Note: All Dimensions are in mm

Maximum Run out of the External Dia with respect to the External Taper 0.005 mm



HSK - A (DIN 69893 - 1)  
Holders

**HSK-A(DIN 69893-1) (CSMA)**

**(Balanced to 6.3 G 20000 RPM)**

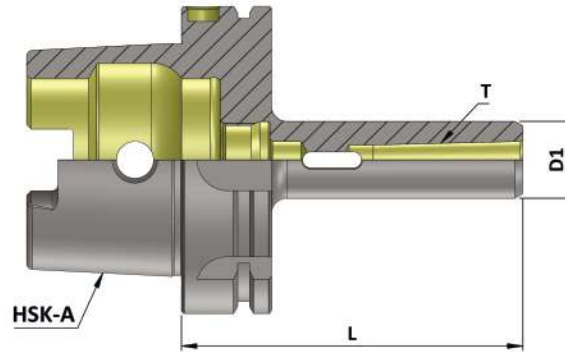
Item Name	Item Code	HSK-A	D	D1	L1	L2	L3
HSK-A 50 CSMA16 050 6.3G 20000 SL S.P.S	K10166121111236	50	16	32	50	17	27
HSK-A 50 CSMA22 055 6.3G 20000 SL S.P.S	K10166122115236	50	22	40	55	19	31
HSK-A 50 CSMA27 065 6.3G 20000 SL S.P.S	K10166123123236	50	27	48	65	21	33
HSK-A 50 CSMA32 065 6.3G 20000 SL S.P.S	K10166124123236	50	32	58	65	24	38

HSK-A 63 CSMA16 060 6.3G 20000 SL S.P.S	K10167121117236	63	16	32	60	17	27
HSK-A 63 CSMA16 100 6.3G 20000 SL S.P.S	K10167121148236	63	16	32	100	17	27
HSK-A 63 CSMA16 160 6.3G 20000 SL S.P.S	K10167121175236	63	16	32	160	17	27
HSK-A 63 CSMA22 060 6.3G 20000 SL S.P.S	K10167122117236	63	22	40	60	19	31
HSK-A 63 CSMA22 100 6.3G 20000 SL S.P.S	K10167122148236	63	22	40	100	19	31
HSK-A 63 CSMA22 160 6.3G 20000 SL S.P.S	K10167122175236	63	22	40	160	19	31
HSK-A 63 CSMA27 060 6.3G 20000 SL S.P.S	K10167123117236	63	27	48	60	21	33
HSK-A 63 CSMA27 100 6.3G 20000 SL S.P.S	K10167123148236	63	27	48	100	21	33
HSK-A 63 CSMA27 160 6.3G 20000 SL S.P.S	K10167123175236	63	27	48	160	21	33
HSK-A 63 CSMA32 065 6.3G 20000 SL S.P.S	K10167124123236	63	32	58	65	24	38
HSK-A 63 CSMA32 100 6.3G 20000 SL S.P.S	K10167124148236	63	32	58	100	24	38
HSK-A 63 CSMA32 160 6.3G 20000 SL S.P.S	K10167124175236	63	32	58	160	24	38
HSK-A 63 CSMA40 070 6.3G 20000 SL S.P.S	K10167125125236	63	40	70	70	27	41
HSK-A 63 CSMA40 100 6.3G 20000 SL S.P.S	K10167125148236	63	40	70	100	27	41
HSK-A 63 CSMA40 160 6.3G 20000 SL S.P.S	K10167125175236	63	40	70	160	27	41

HSK-A 100 CSMA16 065 6.3G 20000 SL S.P.S	K10168121123236	100	16	32	65	17	27
HSK-A 100 CSMA16 100 6.3G 20000 SL S.P.S	K10168121148236	100	16	32	100	17	27
HSK-A 100 CSMA16 160 6.3G20000 SL S.P.S	K10168121175236	100	16	32	160	17	27
HSK-A 100 CSMA22 065 6.3G 20000 SL S.P.S	K10168122123236	100	22	40	65	19	31
HSK-A 100 CSMA22 100 6.3G 20000 SL S.P.S	K10168122148236	100	22	40	100	19	31
HSK-A 100 CSMA22 160 6.3G 20000 SL S.P.S	K10168122175236	100	22	40	160	19	31
HSK-A 100 CSMA27 065 6.3G 20000 SL S.P.S	K10168123123236	100	27	48	65	21	33
HSK-A 100 CSMA27 100 6.3G 20000 SL S.P.S	K10168123148236	100	27	48	100	21	33
HSK-A 100 CSMA27 160 6.3G 20000 SL S.P.S	K10168123175236	100	27	48	160	21	33
HSK-A 100 CSMA32 070 6.3G 20000 SL S.P.S	K10168124125236	100	32	58	70	24	38
HSK-A 100 CSMA32 100 6.3G 20000 SL S.P.S	K10168124148236	100	32	58	100	24	38
HSK-A 100 CSMA32 160 6.3G 20000 SL S.P.S	K10168124175236	100	32	58	160	24	38
HSK-A 100 CSMA40 070 6.3G 20000 SL S.P.S	K10168125125236	100	40	70	70	27	41
HSK-A 100 CSMA40 100 6.3G 20000 SL S.P.S	K10168125148236	100	40	70	100	27	41
HSK-A 100 CSMA40 160 6.3G 20000 SL S.P.S	K10168125175236	100	40	70	160	27	41

Note: All Dimensions are in mm

Maximum Run out of the Internal Taper with respect to the External Taper 0.005 mm



HSK - A (DIN 69893 - 1)  
Holders

**HSK-A(DIN 69893-1) (MTA)**

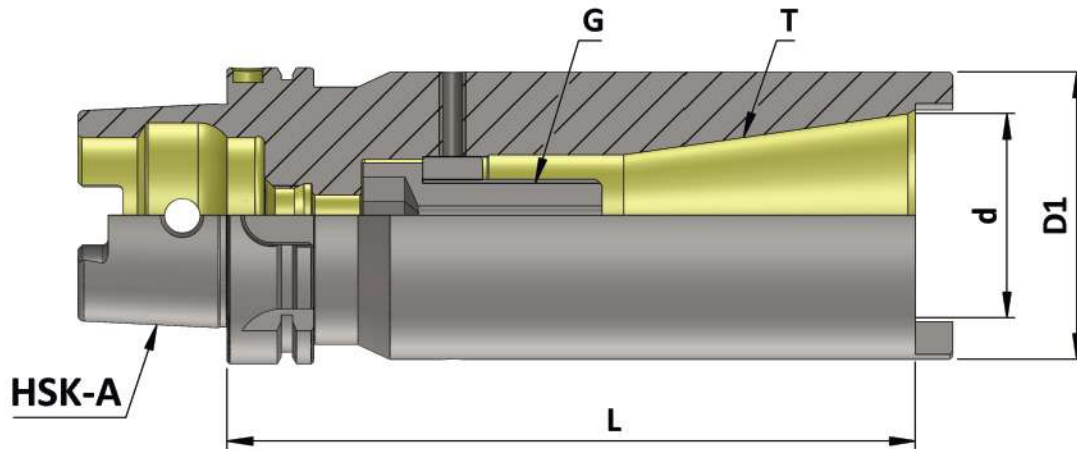
**(Balanced to 6.3 G 20000 RPM)**

Item Name	Item Code	HSK-A	Morse Taper (T)	D1	L
HSK-A 50 MT01 100 6.3G 20000 SL	K10166447148209	50	1	25	100
HSK-A 50 MT02 115 6.3G 20000 SL	K10166448159209	50	2	32	115
HSK-A 50 MT03 135 6.3G 20000 SL	K10166449166209	50	3	40	135
HSK-A 63 MT01 100 6.3G 20000 SL	K10167447148209	63	1	25	100
HSK-A 63 MT02 115 6.3G 20000 SL	K10167448159209	63	2	32	115
HSK-A 63 MT03 135 6.3G 20000 SL	K10167449166209	63	3	40	135
HSK-A 63 MT04 160 6.3G 20000 SL	K10167451175209	63	4	48	160
HSK-A 100 MT01 110 6.3G 20000 SL	K10168447156209	100	1	25	110
HSK-A 100 MT02 120 6.3G 20000 SL	K10168448162209	100	2	32	120
HSK-A 100 MT03 150 6.3G 20000 SL	K10168449173209	100	3	40	150
HSK-A 100 MT04 170 6.3G 20000 SL	K10168451238209	100	4	48	170
HSK-A 100 MT05 200 6.3G 20000 SL	K10168450239209	100	5	63	200

Note: All Dimensions are in mm

Maximum Run out of the Internal Taper with respect to the External Taper 0.005 mm

HSK - A (DIN 69893 - 1)  
Holders



**HSK-A (DIN 69893-1) Reduction Sleeve**

Item Name	Item Code	HSK-A	d	D1	T	L	G
HSK A 100 X ISO40 REDUCTION SLEEVE	K10251462446127	100	44.45	63	7:24	150	M 16
HSK A 100 X ISO50 REDUCTION SLEEVE	K10251462448127	100	69.85	97	7:24	205	M 24

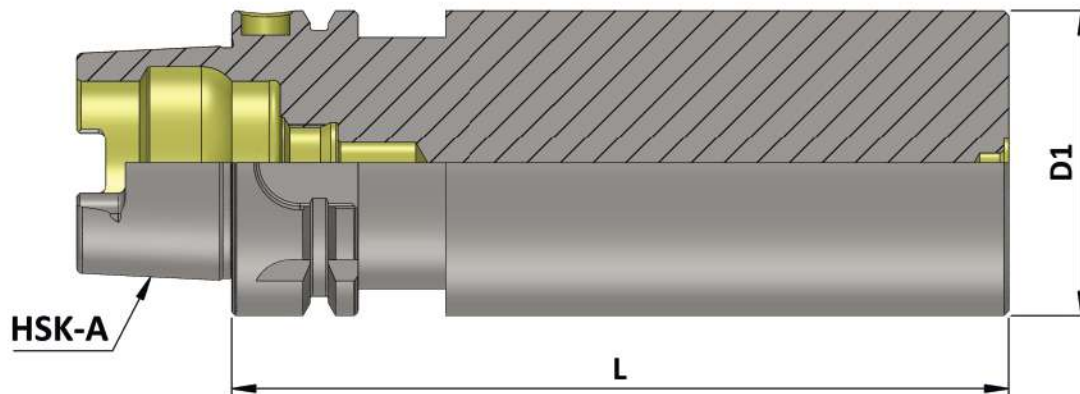
**Suitable For:**

BT 40 (MAS 403) Adaptor & SK 40 (DIN 69871) Adaptor.

BT 50 (MAS 403) Adaptor & SK 50 (DIN 69871) Adaptor.

Note: All Dimensions are in mm





HSK - A (DIN 69893 - 1)  
Holders

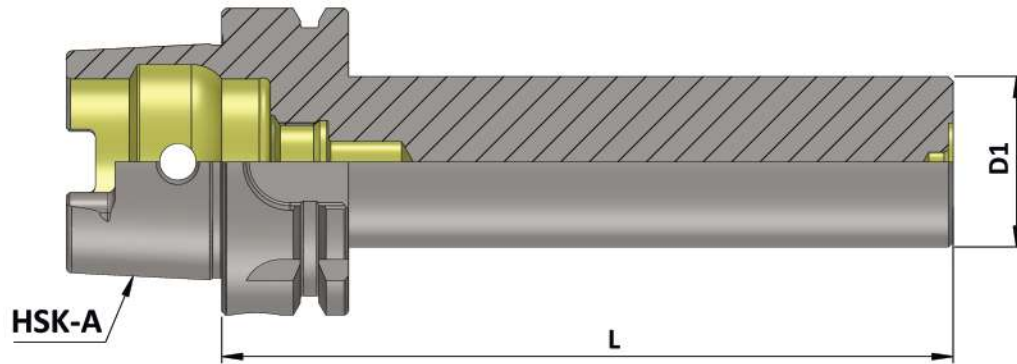
**HSK-A (DIN 69893-1) Boring Bar Blank**

Item Name	Item Code	HSK-A	D1	L
HSK-A 50 BORING BAR BLANK DIA 52.0 L 200 -	K10166261237127	50	52	200
HSK-A 50 BORING BAR BLANK DIA 62.0 L 200 -	K10166262237127	50	62	200
HSK-A 63 BORING BAR BLANK DIA 63.0 L 160 -	K10167263330127	63	63	160
HSK-A 63 BORING BAR BLANK DIA 63.0 L 250 -	K10167263256127	63	63	250
HSK-A 63 BORING BAR BLANK DIA 80.0 L 250 -	K10167264256127	63	80	250
HSK-A 100 BORING BAR BLANK DIA 80.0 L 250 -	K10168264256127	100	80	250
HSK-A 100 BORING BAR BLANK DIA 80.0 L 275 -	K10168264501127	100	80	275
HSK-A 100 BORING BAR BLANK DIA 97.0 L 250 -	K10168265256127	100	97	250

Note: All Dimensions are in mm

Maximum Run out of the External Dia with respect to the External Taper 0.003 mm

HSK-A (DIN 69893-1)  
Holders



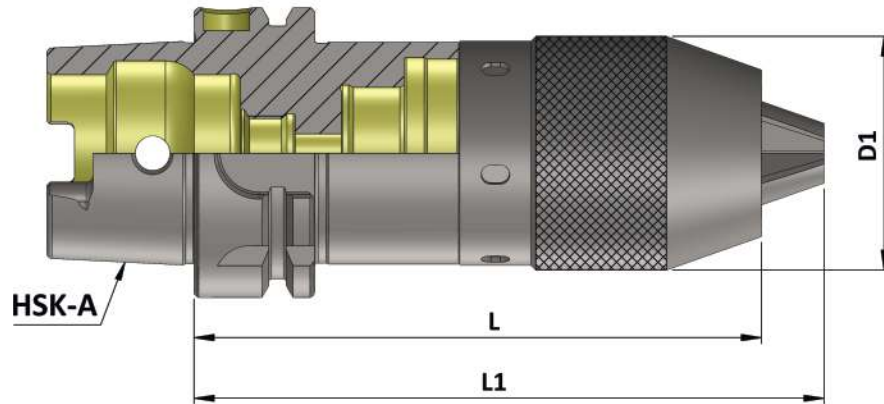
**HSK-A (DIN 69893-1) Master Mandrell**

**(Sub Zero Treated)**

Item Name	Item Code	HSK-A	D1	L
HSK-A 50 MASTER MANDRELL DIA 32 L 200	K10166164237127	50	32	200
HSK-A 63 MASTER MANDRELL DIA40 L 300	K10167165257127	63	40	300
HSK-A 100 MASTER MANDRELL DIA50 L 300	K10168166257127	100	50	300

Note: All Dimensions are in mm

Maximum Run out on the Mandrell with respect to the External Taper 0.050 mm

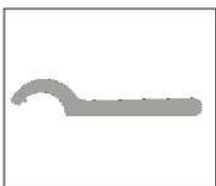


HSK - A (DIN 69893 - 1)  
Holders

**HSK-A (DIN 69893-1) (NCDC)**

Item Name	Item Code	HSK-A	D1	L	L1
HSK-A 50 NCDC 1-13 125	K10166167170209	50	50	125	137.5
HSK-A 63 NCDC 1-13 122.5	K10167167172209	63	50	122.5	135
HSK-A 100 NCDC 1-13 146	K10168167172209	100	50	146	158.5

**Accessories:**



NCDC Spanner  
Ref. Page No. 223

Note: All Dimensions are in mm

## ◆ Features:

- Small outside diameter.
- Best suitable for Die & Mould Industry.
- Most suitable for machining of cavities difficult to reach.
- High precision Runout < 0.005mm (4xd).
- All 'KTA' Die & Mould Chucks are subjected to Sub-zero treatment (-90° C). This treatment helps to prevent the holders from deformation for many years & hence increases the life.

## ◆ Capacity:

- DMC 06 (3mm to 6mm)
- DMC 08 (3mm to 8 mm)
- DMC 10 (3mm to 10mm)

## ◆ Available In Mountings :

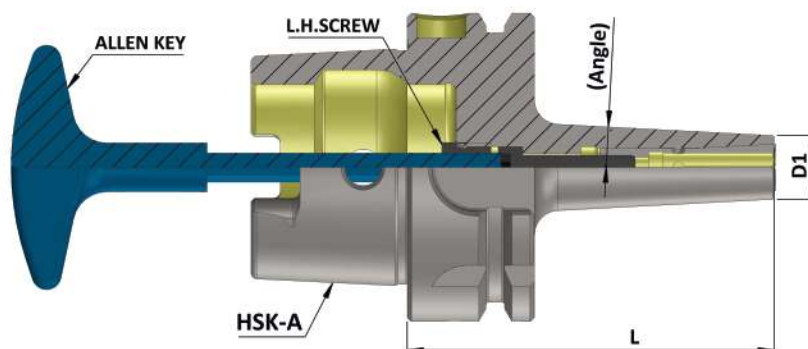
- BT (MAS 403) (DIN ISO 7388 - 2)
- BBT (MAS 403)
- SK (DIN 69871) (DIN ISO 7388 - 1)
- HSK- A (DIN 69893-1)
- Cylindrical Shank

## ◆ Balancing :

- Balanced To 2.5 G 25000 RPM



Maximum Run out of the Internal Taper with respect to the External Taper < 0.005 mm



HSK - A (DIN 69893 - 1)  
Holders

**HSK-A (DIN 69893-1) (DMC)**

**(Balanced to 2.5 G 25000 RPM)**

Item Name	Item Code	HSK-A	D1	L	Angle	Screw	Allen Key
HSK-A 50 DMC 06 075 2.5G25000 SL	K10166161127129	50	13	75	3	M5	4X200
HSK-A 63 DMC 06 075 2.5G25000 SL	K10167161127124	63	13	75	3	M5	4X200
HSK-A 63 DMC 06 095 2.5G25000 SL	K10167161145124	63	13	95	3	M5	4X200
HSK-A 63 DMC 06 120 2.5G25000 SL	K10167161162124	63	13	120	3	M5	4X200
HSK-A 63 DMC 06 160 2.5G25000 SL	K10167161175124	63	13	160	3	M5	4X200
HSK-A 63 DMC 08 100 2.5G25000 SL	K10167162148124	63	22	100	3	M6	5X200
HSK-A 63 DMC 08 160 2.5G25000 SL	K10167162175124	63	22	160	3	M6	5X200
HSK-A 63 DMC 10 110 2.5G25000 SL	K10167163156124	63	28	110	-	M8	6X200

**Accessories:**



DMC Collet  
Ref. Page No. 241

Note: All Dimensions are in mm



## Power Milling Chuck (PMC)

### ◆ Features:

- 'KTA' Power Milling Chuck is Very Rigid & Precision.
- It is best for Drilling, Reaming & Milling Operations.
- The tool runs true less than 5 micron on 2D. Hence the tool life increases drastically.
- It's Unibody construction reduces the vibrations, This also helps to increase the tool life.
- All 'KTA' Power Milling Chucks are subjected to sub-zero treatment (-90° C). This treatment helps to prevent the holders from deformation for many years & hence increases the life.

### ◆ Available In Mountings :

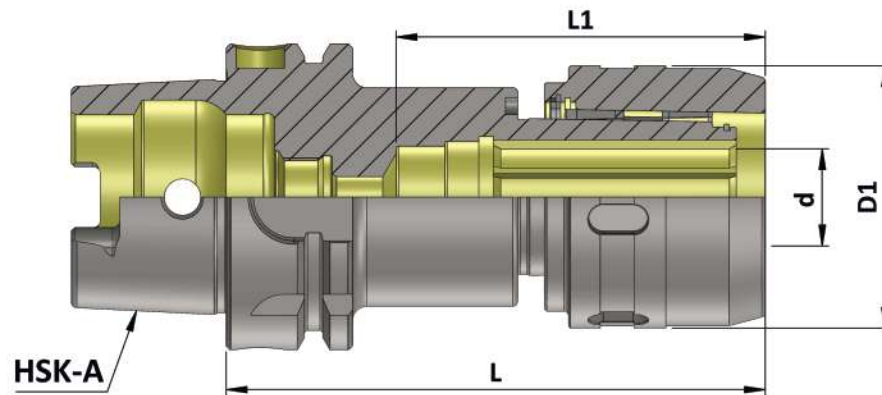
- BT (MAS 403) (DIN ISO 7388-2)
- BBT (MAS 403)
- SK (DIN 69871) (DIN ISO 7388-1)
- HSK-A (DIN 69893-1)

### ◆ Balancing :

- Balanced To 6.3 G 20000 RPM



Maximum Run out of the Internal Dia with respect to the External Taper 0.005 mm



HSK - A (DIN 69893 - 1)  
Holders

**HSK-A (DIN 69893-1) (PMC)**

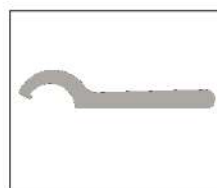
**(Balanced to 6.3 G 20000 RPM)**

Item Name	Item Code	HSK-A	d	D1	L	L1
HSK-A 50 C20 100 AD/6.3G20000 SL	K10166445148114	50	20	54	100	70
HSK-A 63 C20 105 AD/6.3G20000 SL	K10167445152114	63	20	54	105	70
HSK-A 63 C32 130 AD/6.3G20000 SL	K10167446165114	63	32	72	130	100
HSK-A 100 C20 110 AD/6.3G20000 SL	K10168445156114	100	20	54	110	70
HSK-A 100 C32 135 AD/6.3G20000 SL	K10168446166114	100	32	72	135	100

**Accessories:**



Reduction Sleeve (RS)  
Ref. Page No. 242



PMC Spanner  
Ref. Page No. 223

Note: All Dimensions are in mm

◆ **Features:**

- For Mounting of Screw type Modular Milling Cutters.
- Slim Design & hence easy to reach at deep cavities.
- Unibody Construction
- All 'KTA' Milling Cutter Arbors are subjected to Sub-zero treatment (-90° C). This treatment helps to prevent the holders from deformation for many years & hence increases the life.

◆ **Available In Mountings :**

- BT (MAS 403) (DIN ISO 7388 - 2)
- BBT (MAS 403)
- SK (DIN 69871) (DIN ISO 7388 - 1)
- HSK-A (DIN 69893-1)
- HSK-F (DIN 69893-6)

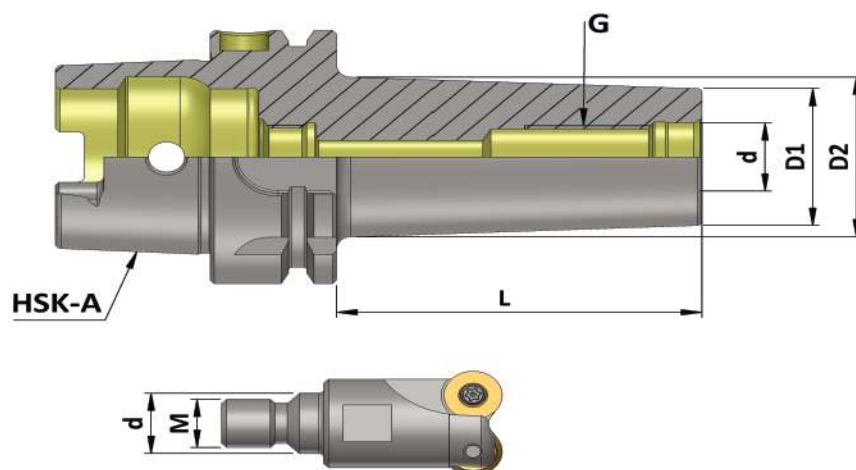
◆ **Balancing :**

- Balanced To 2.5 G 25000 RPM





Maximum Run out of the Internal Dia with respect to the External Taper 0.005 mm



HSK - A (DIN 69893 - 1)  
Holders

**SCREW-TYPE  
MODULAR MILLING CUTTER**

**HSK-A (DIN 69893-1) (MCA)**

**(Balanced to 2.5 G 25000 RPM)**

Item Name	Item Code	HSK-A	d	D1	D2	G	L
HSK-A 63 MCA06 025 2.5G 25000 SL	K10167137101209	63	6.5	10	13	M6	25
HSK-A 63 MCA08 025 2.5G 25000 SL	K10167138101227	63	8.5	13	15	M8	25
HSK-A 63 MCA08 050 2.5G 25000 SL	K10167138111209	63	8.5	13	23	M8	50
HSK-A 63 MCA08 075 2.5G 25000 SL	K10167138127209	63	8.5	13	23	M8	75
HSK-A 63 MCA08 100 2.5G 25000 SL	K10167138148124	63	8.5	13	23	M8	100
HSK-A 63 MCA10 025 2.5G 25000 SL	K10167139101227	63	10.5	18	20	M10	25
HSK-A 63 MCA10 050 2.5G 25000 SL	K10167139111124	63	10.5	18	23	M10	50
HSK-A 63 MCA10 075 2.5G 25000 SL	K10167139127228	63	10.5	18	28	M10	75
HSK-A 63 MCA10 100 2.5G 25000 SL	K10167139148209	63	10.5	18	32	M10	100
HSK-A 63 MCA10 150 2.5G 25000 SL	K10167139173209	63	10.5	18	36.5	M10	150
HSK-A 63 MCA12 025 2.5G 25000 SL	K10167140101209	63	12.5	21	24	M12	25
HSK-A 63 MCA12 050 2.5G 25000 SL	K10167140111209	63	12.5	21	24	M12	50
HSK-A 63 MCA12 075 2.5G 25000 SL	K10167140127209	63	12.5	21	31	M12	75
HSK-A 63 MCA12 100 2.5G 25000 SL	K10167140148209	63	12.5	21	33	M12	100
HSK-A 63 MCA12 150 2.5G 25000 SL	K10167140173209	63	12.5	21	40	M12	150
HSK-A 63 MCA16 025 2.5G 25000 SL	K10167141101227	63	17	29	29	M16	25
HSK-A 63 MCA16 050 2.5G 25000 SL	K10167141111209	63	17	29	34	M16	50
HSK-A 63 MCA16 075 2.5G 25000 SL	K10167141127209	63	17	29	34	M16	75
HSK-A 63 MCA16 100 2.5G 25000 SL	K10167141148209	63	17	29	36	M16	100
HSK-A 63 MCA16 150 2.5G 25000 SL	K10167141173209	63	17	29	42.5	M16	150

HSK-A 100 MCA08 050 2.5G 25000 SL	K10168138111227	100	8.5	13	23	M8	50
HSK-A 100 MCA10 050 2.5G 25000 SL	K10168139111209	100	10.5	18	23	M10	50
HSK-A 100 MCA10 100 2.5G 25000 SL	K10168139148209	100	10.5	18	32	M10	100
HSK-A 100 MCA10 150 2.5G 25000 SL	K10168139173209	100	10.5	18	36.5	M10	150
HSK-A 100 MCA12 050 2.5G 25000 SL	K10168140111209	100	12.5	21	24	M12	50
HSK-A 100 MCA12 100 2.5G 25000 SL	K10168140148209	100	12.5	21	33	M12	100
HSK-A 100 MCA12 150 2.5G 25000 SL	K10168140173227	100	12.5	21	40	M12	150
HSK-A 100 MCA16 050 2.5G 25000 SL	K10168141111209	100	17	29	34	M16	50
HSK-A 100 MCA16 100 2.5G 25000 SL	K10168141148209	100	17	29	36	M16	100
HSK-A 100 MCA16 150 2.5G 25000 SL	K10168141173209	100	17	29	42.5	M16	150

Note: All Dimensions are in mm



## Shrink Fit Holder 4.5 Degree (SFH 4.5°)

### ◆ Features:

- For Mounting Of Carbide Drills, End Mills etc.
- Easy to Reach at Deep Cavities.
- Best T. I. R. & Rigidity during long working life, Result of in house Reasearch & Development & special Heat Treatment.

### ◆ Available In Mountings :

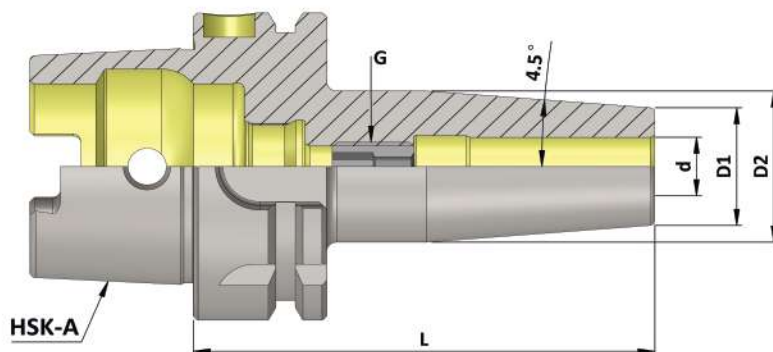
- BT (MAS 403) (DIN ISO 7388 - 2)
- BBT (MAS 403)
- SK (DIN 69871) (DIN ISO 7388 - 1)
- HSK-A (DIN 69893-1)
- HSK-F (DIN 69893-6)

### ◆ Balancing :

- Balanced To 2.5 G 25000 RPM



Maximum Run out of the Internal Dia with respect to the External Taper 0.003 mm



HSK - A (DIN 69893 - 1)  
 Holders

**HSK-A (DIN 69893-1) (SFH 4.5°)**

**(Balanced to 2.5 G 25000 RPM)**

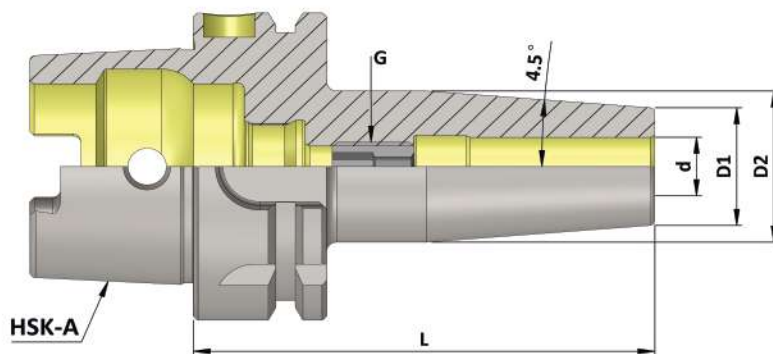
Item Name	Item Code	HSK-A	d	D1	D2	G	L
HSK-A 50 SFH03 080 2.5G 25000 SL	K10166274131209	50	3	10	20	-	80
HSK-A 50 SFH03 120 2.5G 25000 SL	K10166274162209	50	3	10	20	-	120
HSK-A 50 SFH03 160 2.5G 25000 SL	K10166274175209	50	3	10	20	-	160
HSK-A 50 SFH04 080 2.5G 25000 SL	K10166275131209	50	4	15	22	-	80
HSK-A 50 SFH04 120 2.5G 25000 SL	K10166275162209	50	4	15	22	-	120
HSK-A 50 SFH04 160 2.5G 25000 SL	K10166275175209	50	4	15	22	-	160
HSK-A 50 SFH05 080 2.5G 25000 SL	K10166276131209	50	5	15	22	-	80
HSK-A 50 SFH05 120 2.5G 25000 SL	K10166276162209	50	5	15	22	-	120
HSK-A 50 SFH05 160 2.5G 25000 SL	K10166276175209	50	5	15	22	-	160
HSK-A 50 SFH06 080 2.5G 25000 SL	K10166277131209	50	6	21	27	M5	80
HSK-A 50 SFH06 120 2.5G 25000 SL	K10166277162209	50	6	21	27	M5	120
HSK-A 50 SFH06 160 2.5G 25000 SL	K10166277175209	50	6	21	27	M5	160
HSK-A 50 SFH08 080 2.5G 25000 SL	K10166285131209	50	8	21	27	M6	80
HSK-A 50 SFH08 120 2.5G 25000 SL	K10166285162209	50	8	21	27	M6	120
HSK-A 50 SFH08 160 2.5G 25000 SL	K10166285175209	50	8	21	27	M6	160
HSK-A 50 SFH10 085 2.5G 25000 SL	K10166279135209	50	10	24	31	M8	85
HSK-A 50 SFH10 120 2.5G 25000 SL	K10166279162209	50	10	24	31	M8	120
HSK-A 50 SFH10 160 2.5G 25000 SL	K10166279175209	50	10	24	31	M8	160
HSK-A 50 SFH12 090 2.5G 25000 SL	K10166280140209	50	12	24	31	M10	90
HSK-A 50 SFH12 120 2.5G 25000 SL	K10166280162209	50	12	24	31	M10	120
HSK-A 50 SFH12 160 2.5G 25000 SL	K10166280175209	50	12	24	31	M10	160
HSK-A 50 SFH14 090 2.5G 25000 SL	K10166284140209	50	14	27	34	M10	90
HSK-A 50 SFH14 120 2.5G 25000 SL	K10166284162209	50	14	27	34	M10	120
HSK-A 50 SFH14 160 2.5G 25000 SL	K10166284175209	50	14	27	34	M10	160
HSK-A 50 SFH16 095 2.5G 25000 SL	K10166281145209	50	16	27	34	M12	95
HSK-A 50 SFH16 120 2.5G 25000 SL	K10166281162209	50	16	27	34	M12	120
HSK-A 50 SFH16 160 2.5G 25000 SL	K10166281175209	50	16	27	34	M12	160
HSK-A 50 SFH18 095 2.5G 25000 SL	K10166282145209	50	18	33	40	M12	95
HSK-A 50 SFH18 120 2.5G 25000 SL	K10166282162209	50	18	33	40	M12	120
HSK-A 50 SFH18 160 2.5G 25000 SL	K10166282175209	50	18	33	40	M12	160
HSK-A 50 SFH20 100 2.5G 25000 SL	K10166283148209	50	20	33	40	M16	100
HSK-A 50 SFH20 120 2.5G 25000 SL	K10166283162209	50	20	33	40	M16	120
HSK-A 50 SFH20 160 2.5G 25000 SL	K10166283175209	50	20	33	40	M16	160

Note: All Dimensions are in mm

Continued...

Maximum Run out of the Internal Dia with respect to the External Taper 0.003 mm

HSK - A (DIN 69893 - 1)  
Holders



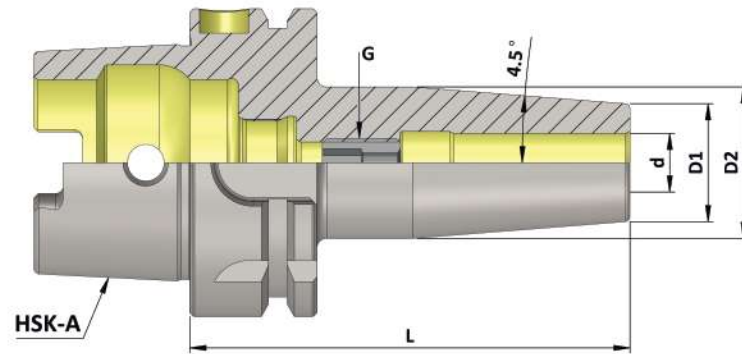
**HSK-A (DIN 69893-1) (SFH 4.5°)**

**(Balanced to 2.5 G 25000 RPM)**

Item Name	Item Code	HSK-A	d	D1	D2	G	L
HSK-A 63 SFH03 080 2.5G 25000 SL	K10167274131209	63	3	10	20	-	80
HSK-A 63 SFH03 120 2.5G 25000 SL	K10167274162209	63	3	10	20	-	120
HSK-A 63 SFH03 160 2.5G 25000 SL	K10167274175209	63	3	10	20	-	160
HSK-A 63 SFH04 080 2.5G 25000 SL	K10167275131209	63	4	15	22	-	80
HSK-A 63 SFH04 120 2.5G 25000 SL	K10167275162209	63	4	15	22	-	120
HSK-A 63 SFH04 160 2.5G 25000 SL	K10167275175209	63	4	15	22	-	160
HSK-A 63 SFH05 080 2.5G 25000 SL	K10167276131209	63	5	15	22	-	80
HSK-A 63 SFH05 120 2.5G 25000 SL	K10167276162209	63	5	15	22	-	120
HSK-A 63 SFH05 160 2.5G 25000 SL	K10167276175209	63	5	15	22	-	160
HSK-A 63 SFH06 080 2.5G 25000 SL	K10167277131209	63	6	21	27	M5	80
HSK-A 63 SFH06 120 2.5G 25000 SL	K10167277162209	63	6	21	27	M5	120
HSK-A 63 SFH06 160 2.5G 25000 SL	K10167277175209	63	6	21	27	M5	160
HSK-A 63 SFH08 080 2.5G 25000 SL	K10167285131209	63	8	21	27	M6	80
HSK-A 63 SFH08 120 2.5G 25000 SL	K10167285162209	63	8	21	27	M6	120
HSK-A 63 SFH08 160 2.5G 25000 SL	K10167285175209	63	8	21	27	M6	160
HSK-A 63 SFH10 085 2.5G 25000 SL	K10167279135209	63	10	24	31	M8	85
HSK-A 63 SFH10 120 2.5G 25000 SL	K10167279162209	63	10	24	31	M8	120
HSK-A 63 SFH10 160 2.5G 25000 SL	K10167279175209	63	10	24	31	M8	160
HSK-A 63 SFH12 090 2.5G 25000 SL	K10167280140209	63	12	24	31	M10	90
HSK-A 63 SFH12 120 2.5G 25000 SL	K10167280162209	63	12	24	31	M10	120
HSK-A 63 SFH12 160 2.5G 25000 SL	K10167280175209	63	12	24	31	M10	160
HSK-A 63 SFH14 090 2.5G 25000 SL	K10167284140209	63	14	27	34	M10	90
HSK-A 63 SFH14 120 2.5G 25000 SL	K10167284162209	63	14	27	34	M10	120
HSK-A 63 SFH14 160 2.5G 25000 SL	K10167284175209	63	14	27	34	M10	160
HSK-A 63 SFH16 095 2.5G 25000 SL	K10167281145209	63	16	27	34	M12	95
HSK-A 63 SFH16 120 2.5G 25000 SL	K10167281162209	63	16	27	34	M12	120
HSK-A 63 SFH16 160 2.5G 25000 SL	K10167281175209	63	16	27	34	M12	160
HSK-A 63 SFH18 095 2.5G 25000 SL	K10167282145209	63	18	33	40	M12	95
HSK-A 63 SFH18 120 2.5G 25000 SL	K10167282162209	63	18	33	40	M12	120
HSK-A 63 SFH18 160 2.5G 25000 SL	K10167282175209	63	18	33	40	M12	160
HSK-A 63 SFH20 100 2.5G 25000 SL	K10167283148209	63	20	33	40	M16	100
HSK-A 63 SFH20 120 2.5G 25000 SL	K10167283162209	63	20	33	40	M16	120
HSK-A 63 SFH20 160 2.5G 25000 SL	K10167283175209	63	20	33	40	M16	160

Note: All Dimensions are in mm

Maximum Run out of the Internal Dia with respect to the External Taper 0.003 mm



HSK - A (DIN 69893 - 1)  
Holders

**HSK-A (DIN 69893-1) (SFH 4.5°)**

**(Balanced to 2.5 G 25000 RPM)**

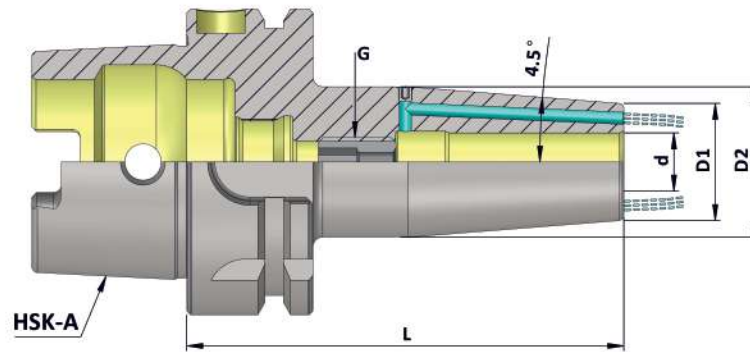
Item Name	Item Code	HSK-A	d	D1	D2	G	L
HSK-A 63 SFH25 115 2.5G 25000 SL	K10167287159209	63	25	44	53	M16	115
HSK-A 63 SFH25 120 2.5G 25000 SL	K10167287162209	63	25	44	53	M16	120
HSK-A 63 SFH25 160 2.5G 25000 SL	K10167287175209	63	25	44	53	M16	160
HSK-A 63 SFH32 120 2.5G 25000 SL	K10167288162209	63	32	44	53	M16	120
HSK-A 63 SFH32 160 2.5G 25000 SL	K10167288175209	63	32	44	53	M16	160

HSK-A 100 SFH06 085 2.5G 25000 SL	K10168277135209	100	6	21	27	M5	85
HSK-A 100 SFH06 120 2.5G 25000 SL	K10168277162209	100	6	21	27	M5	120
HSK-A 100 SFH06 160 2.5G 25000 SL	K10168277175209	100	6	21	27	M5	160
HSK-A 100 SFH08 085 2.5G 25000 SL	K10168285135209	100	8	21	27	M6	85
HSK-A 100 SFH08 120 2.5G 25000 SL	K10168285162209	100	8	21	27	M6	120
HSK-A 100 SFH08 160 2.5G 25000 SL	K10168285175209	100	8	21	27	M6	160
HSK-A 100 SFH10 090 2.5G 25000 SL	K10168279140209	100	10	24	31	M8	90
HSK-A 100 SFH10 120 2.5G 25000 SL	K10168279162209	100	10	24	31	M8	120
HSK-A 100 SFH10 160 2.5G 25000 SL	K10168279175209	100	10	24	31	M8	160
HSK-A 100 SFH12 095 2.5G 25000 SL	K10168280145209	100	12	24	31	M10	95
HSK-A 100 SFH12 120 2.5G 25000 SL	K10168280162209	100	12	24	31	M10	120
HSK-A 100 SFH12 160 2.5G 25000 SL	K10168280175209	100	12	24	31	M10	160
HSK-A 100 SFH14 095 2.5G 25000 SL	K10168284145209	100	14	27	34	M10	95
HSK-A 100 SFH14 120 2.5G 25000 SL	K10168284162209	100	14	27	34	M10	120
HSK-A 100 SFH14 160 2.5G 25000 SL	K10168284175209	100	14	27	34	M10	160
HSK-A 100 SFH16 100 2.5G 25000 SL	K10168281148209	100	16	27	34	M12	100
HSK-A 100 SFH16 120 2.5G 25000 SL	K10168281162209	100	16	27	34	M12	120
HSK-A 100 SFH16 160 2.5G 25000 SL	K10168281175209	100	16	27	34	M12	160
HSK-A 100 SFH18 100 2.5G 25000 SL	K10168282148209	100	18	33	40	M12	100
HSK-A 100 SFH18 120 2.5G 25000 SL	K10168282162209	100	18	33	40	M12	120
HSK-A 100 SFH18 160 2.5G 25000 SL	K10168282175209	100	18	33	40	M12	160
HSK-A 100 SFH20 105 2.5G 25000 SL	K10168283152209	100	20	33	40	M16	105
HSK-A 100 SFH20 120 2.5G 25000 SL	K10168283162209	100	20	33	40	M16	120
HSK-A 100 SFH20 160 2.5G 25000 SL	K10168283175209	100	20	33	40	M16	160
HSK-A 100 SFH25 115 2.5G 25000 SL	K10168287159209	100	25	44	53	M16	115
HSK-A 100 SFH25 120 2.5G 25000 SL	K10168287162209	100	25	44	53	M16	120
HSK-A 100 SFH25 160 2.5G 25000 SL	K10168287175209	100	25	44	53	M16	160
HSK-A 100 SFH32 120 2.5G 25000 SL	K10168288162209	100	32	44	53	M16	120
HSK-A 100 SFH32 160 2.5G 25000 SL	K10168288175209	100	32	44	53	M16	160

Note: All Dimensions are in mm

Maximum Run out of the Internal Dia with respect to the External Taper 0.003 mm

HSK-A (DIN 69893-1)  
Holders



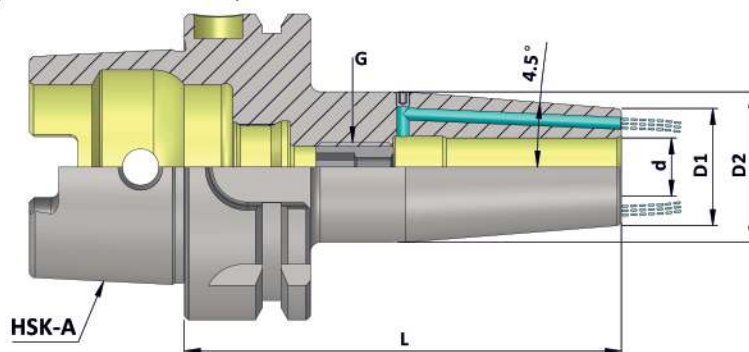
**HSK-A (DIN 69893-1) (SFH FCC 4.5°)**

**(Balanced to 2.5 G 25000 RPM)**

Item Name	Item Code	HSK-A	d	D1	D2	G	L
HSK-A 50 SFH03 080 FCC 2.5G 25000 SL	K10166274131256	50	3	10	20	-	80
HSK-A 50 SFH03 120 FCC 2.5G 25000 SL	K10166274162256	50	3	10	20	-	120
HSK-A 50 SFH03 160 FCC 2.5G 25000 SL	K10166274175256	50	3	10	20	-	160
HSK-A 50 SFH04 080 FCC 2.5G 25000 SL	K10166275131256	50	4	15	22	-	80
HSK-A 50 SFH04 120 FCC 2.5G 25000 SL	K10166275162256	50	4	15	22	-	120
HSK-A 50 SFH04 160 FCC 2.5G 25000 SL	K10166275175256	50	4	15	22	-	160
HSK-A 50 SFH05 080 FCC 2.5G 25000 SL	K10166276131256	50	5	15	22	-	80
HSK-A 50 SFH05 120 FCC 2.5G 25000 SL	K10166276162256	50	5	15	22	-	120
HSK-A 50 SFH05 160 FCC 2.5G 25000 SL	K10166276175256	50	5	15	22	-	160
HSK-A 50 SFH06 080 FCC 2.5G 25000 SL	K10166277131256	50	6	21	27	M5	80
HSK-A 50 SFH06 120 FCC 2.5G 25000 SL	K10166277162256	50	6	21	27	M5	120
HSK-A 50 SFH06 160 FCC 2.5G 25000 SL	K10166277175256	50	6	21	27	M5	160
HSK-A 50 SFH08 080 FCC 2.5G 25000 SL	K10166285131256	50	8	21	27	M6	80
HSK-A 50 SFH08 120 FCC 2.5G 25000 SL	K10166285162256	50	8	21	27	M6	120
HSK-A 50 SFH08 160 FCC 2.5G 25000 SL	K10166285175256	50	8	21	27	M6	160
HSK-A 50 SFH10 085 FCC 2.5G 25000 SL	K10166279135256	50	10	24	31	M8	85
HSK-A 50 SFH10 120 FCC 2.5G 25000 SL	K10166279162256	50	10	24	31	M8	120
HSK-A 50 SFH10 160 FCC 2.5G 25000 SL	K10166279175256	50	10	24	31	M8	160
HSK-A 50 SFH12 090 FCC 2.5G 25000 SL	K10166280140256	50	12	24	31	M10	90
HSK-A 50 SFH12 120 FCC 2.5G 25000 SL	K10166280162256	50	12	24	31	M10	120
HSK-A 50 SFH12 160 FCC 2.5G 25000 SL	K10166280175256	50	12	24	31	M10	160
HSK-A 50 SFH14 090 FCC 2.5G 25000 SL	K10166284140256	50	14	27	34	M10	90
HSK-A 50 SFH14 120 FCC 2.5G 25000 SL	K10166284162256	50	14	27	34	M10	120
HSK-A 50 SFH14 160 FCC 2.5G 25000 SL	K10166284175256	50	14	27	34	M10	160
HSK-A 50 SFH16 095 FCC 2.5G 25000 SL	K10166281145256	50	16	27	34	M12	95
HSK-A 50 SFH16 120 FCC 2.5G 25000 SL	K10166281162256	50	16	27	34	M12	120
HSK-A 50 SFH16 160 FCC 2.5G 25000 SL	K10166281175256	50	16	27	34	M12	160
HSK-A 50 SFH18 095 FCC 2.5G 25000 SL	K10166282145256	50	18	33	40	M12	95
HSK-A 50 SFH18 120 FCC 2.5G 25000 SL	K10166282162256	50	18	33	40	M12	120
HSK-A 50 SFH18 160 FCC 2.5G 25000 SL	K10166282175256	50	18	33	40	M12	160
HSK-A 50 SFH20 100 FCC 2.5G 25000 SL	K10166286148256	50	20	33	40	M16	100
HSK-A 50 SFH20 120 FCC 2.5G 25000 SL	K10166286162256	50	20	33	40	M16	120
HSK-A 50 SFH20 160 FCC 2.5G 25000 SL	K10166286175256	50	20	33	40	M16	160

Note: All Dimensions are in mm

Maximum Run out of the Internal Dia with respect to the External Taper 0.003 mm



HSK - A (DIN 69893 - 1)  
Holders

**HSK-A (DIN 69893-1) (SFH FCC 4.5°)**

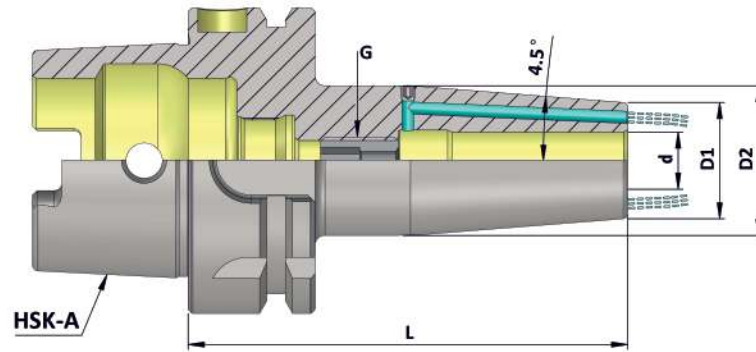
**(Balanced to 2.5 G 25000 RPM)**

Item Name	Item Code	HSK-A	d	D1	D2	G	L
HSK-A 63 SFH03 080 FCC 2.5G 25000 SL	K10167274131256	63	3	10	20	-	80
HSK-A 63 SFH03 120 FCC 2.5G 25000 SL	K10167274162256	63	3	10	20	-	120
HSK-A 63 SFH03 160 FCC 2.5G 25000 SL	K10167274175256	63	3	10	20	-	160
HSK-A 63 SFH04 080 FCC 2.5G 25000 SL	K10167275131256	63	4	15	22	-	80
HSK-A 63 SFH04 120 FCC 2.5G 25000 SL	K10167275162256	63	4	15	22	-	120
HSK-A 63 SFH04 160 FCC 2.5G 25000 SL	K10167275175256	63	4	15	22	-	160
HSK-A 63 SFH05 080 FCC 2.5G 25000 SL	K10167276131256	63	5	15	22	-	80
HSK-A 63 SFH05 120 FCC 2.5G 25000 SL	K10167276162256	63	5	15	22	-	120
HSK-A 63 SFH05 160 FCC 2.5G 25000 SL	K10167276175256	63	5	15	22	-	160
HSK-A 63 SFH06 080 FCC 2.5G 25000 SL	K10167277131256	63	6	21	27	M5	80
HSK-A 63 SFH06 120 FCC 2.5G 25000 SL	K10167277162256	63	6	21	27	M5	120
HSK-A 63 SFH06 160 FCC 2.5G 25000 SL	K10167277175256	63	6	21	27	M5	160
HSK-A 63 SFH08 080 FCC 2.5G 25000 SL	K10167285131256	63	8	21	27	M6	80
HSK-A 63 SFH08 120 FCC 2.5G 25000 SL	K10167285162256	63	8	21	27	M6	120
HSK-A 63 SFH08 160 FCC 2.5G 25000 SL	K10167285175256	63	8	21	27	M6	160
HSK-A 63 SFH10 085 FCC 2.5G 25000 SL	K10167279135256	63	10	24	31	M8	85
HSK-A 63 SFH10 120 FCC 2.5G 25000 SL	K10167279162256	63	10	24	31	M8	120
HSK-A 63 SFH10 160 FCC 2.5G 25000 SL	K10167279175256	63	10	24	31	M8	160
HSK-A 63 SFH12 090 FCC 2.5G 25000 SL	K10167280140256	63	12	24	31	M10	90
HSK-A 63 SFH12 120 FCC 2.5G 25000 SL	K10167280162256	63	12	24	31	M10	120
HSK-A 63 SFH12 160 FCC 2.5G 25000 SL	K10167280175256	63	12	24	31	M10	160
HSK-A 63 SFH14 090 FCC 2.5G 25000 SL	K10167284140256	63	14	27	34	M10	90
HSK-A 63 SFH14 120 FCC 2.5G 25000 SL	K10167284162256	63	14	27	34	M10	120
HSK-A 63 SFH14 160 FCC 2.5G 25000 SL	K10167284175256	63	14	27	34	M10	160
HSK-A 63 SFH16 095 FCC 2.5G 25000 SL	K10167281145256	63	16	27	34	M12	95
HSK-A 63 SFH16 120 FCC 2.5G 25000 SL	K10167281162256	63	16	27	34	M12	120
HSK-A 63 SFH16 160 FCC 2.5G 25000 SL	K10167281175256	63	16	27	34	M12	160
HSK-A 63 SFH18 095 FCC 2.5G 25000 SL	K10167282145256	63	18	33	40	M12	95
HSK-A 63 SFH18 120 FCC 2.5G 25000 SL	K10167282162256	63	18	33	40	M12	120
HSK-A 63 SFH18 160 FCC 2.5G 25000 SL	K10167282175256	63	18	33	40	M12	160
HSK-A 63 SFH20 100 FCC 2.5G 25000 SL	K10167283145256	63	20	33	40	M16	100
HSK-A 63 SFH20 120 FCC 2.5G 25000 SL	K10167283162256	63	20	33	40	M16	120
HSK-A 63 SFH20 160 FCC 2.5G 25000 SL	K10167283175256	63	20	33	40	M16	160
HSK-A 63 SFH25 115 FCC 2.5G 25000 SL	K10167287159256	63	25	44	53	M16	115
HSK-A 63 SFH25 120 FCC 2.5G 25000 SL	K10167287162256	63	25	44	53	M16	120
HSK-A 63 SFH25 160 FCC 2.5G 25000 SL	K10167287175256	63	25	44	53	M16	160
HSK-A 63 SFH32 120 FCC 2.5G 25000 SL	K10167288162256	63	32	44	53	M16	120
HSK-A 63 SFH32 160 FCC 2.5G 25000 SL	K10167288175256	63	32	44	53	M16	160

Note: All Dimensions are in mm

Maximum Run out of the Internal Dia with respect to the External Taper 0.003 mm

HSK-A (DIN 69893-1)  
Holders



**HSK-A (DIN 69893-1) (SFH FCC 4.5°)**

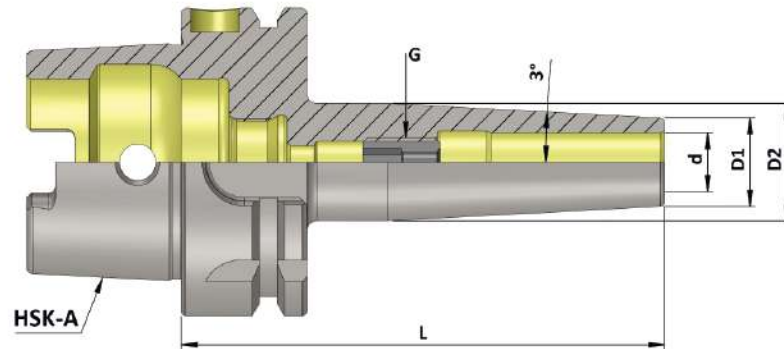
**(Balanced to 2.5 G 25000 RPM)**

Item Name	Item Code	HSK-A	d	D1	D2	G	L
HSK-A 100 SFH06 085 FCC 2.5G 25000 SL	K10168277135256	100	6	21	27	M5	85
HSK-A 100 SFH06 120 FCC 2.5G 25000 SL	K10168277162256	100	6	21	27	M5	120
HSK-A 100 SFH06 160 FCC 2.5G 25000 SL	K10168277175256	100	6	21	27	M5	160
HSK-A 100 SFH08 085 FCC 2.5G 25000 SL	K10168285135256	100	8	21	27	M6	85
HSK-A 100 SFH08 120 FCC 2.5G 25000 SL	K10168285162256	100	8	21	27	M6	120
HSK-A 100 SFH08 160 FCC 2.5G 25000 SL	K10168285175256	100	8	21	27	M6	160
HSK-A 100 SFH10 090 FCC 2.5G 25000 SL	K10168279140256	100	10	24	31	M8	90
HSK-A 100 SFH10 120 FCC 2.5G 25000 SL	K10168279162256	100	10	24	31	M8	120
HSK-A 100 SFH10 160 FCC 2.5G 25000 SL	K10168279175256	100	10	24	31	M8	160
HSK-A 100 SFH12 095 FCC 2.5G 25000 SL	K10168280145256	100	12	24	31	M10	95
HSK-A 100 SFH12 120 FCC 2.5G 25000 SL	K10168280162256	100	12	24	31	M10	120
HSK-A 100 SFH12 160 FCC 2.5G 25000 SL	K10168280175256	100	12	24	31	M10	160
HSK-A 100 SFH14 095 FCC 2.5G 25000 SL	K10168284145256	100	14	27	34	M10	95
HSK-A 100 SFH14 120 FCC 2.5G 25000 SL	K10168284162256	100	14	27	34	M10	120
HSK-A 100 SFH14 160 FCC 2.5G 25000 SL	K10168284175256	100	14	27	34	M10	160
HSK-A 100 SFH16 100 FCC 2.5G 25000 SL	K10168281148256	100	16	27	34	M12	100
HSK-A 100 SFH16 120 FCC 2.5G 25000 SL	K10168281162256	100	16	27	34	M12	120
HSK-A 100 SFH16 160 FCC 2.5G 25000 SL	K10168281175256	100	16	27	34	M12	160
HSK-A 100 SFH18 100 FCC 2.5G 25000 SL	K10168282148256	100	18	33	40	M12	100
HSK-A 100 SFH18 120 FCC 2.5G 25000 SL	K10168282162256	100	18	33	40	M12	120
HSK-A 100 SFH18 160 FCC 2.5G 25000 SL	K10168282175256	100	18	33	40	M12	160
HSK-A 100 SFH20 105 FCC 2.5G 25000 SL	K10168283152256	100	20	33	40	M16	105
HSK-A 100 SFH20 120 FCC 2.5G 25000 SL	K10168283162256	100	20	33	40	M16	120
HSK-A 100 SFH20 160 FCC 2.5G 25000 SL	K10168283175256	100	20	33	40	M16	160
HSK-A 100 SFH25 115 FCC 2.5G 25000 SL	K10168287159256	100	25	44	53	M16	115
HSK-A 100 SFH25 120 FCC 2.5G 25000 SL	K10168287162256	100	25	44	53	M16	120
HSK-A 100 SFH25 160 FCC 2.5G 25000 SL	K10168287175256	100	25	44	53	M16	160
HSK-A 100 SFH32 120 FCC 2.5G 25000 SL	K10168288162256	100	32	44	53	M16	120
HSK-A 100 SFH32 160 FCC 2.5G 25000 SL	K10168288175256	100	32	44	53	M16	160

Note: All Dimensions are in mm



Maximum Run out of the Internal Dia with respect to the External Taper 0.003 mm



**HSK-A (DIN 69893-1) (SFH SLIM 3°)**

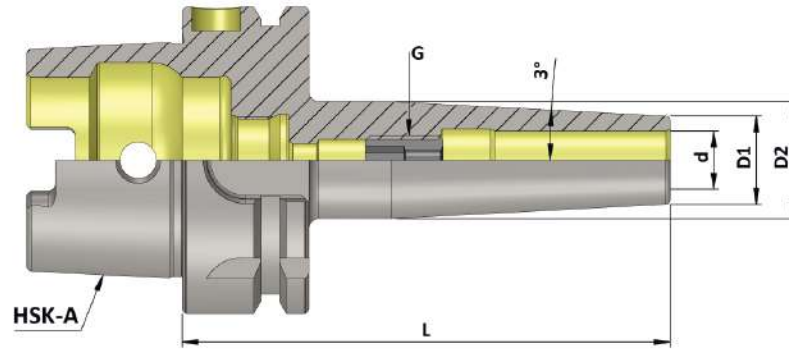
**(Balanced to 2.5 G 25000 RPM)**

Item Name	Item Code	HSK-A	d	D1	D2	G	L
HSK-A 63 SFH03 080 SLIM 2.5G 25000 SL	K10305274131258	63	3	9	14	-	80
HSK-A 63 SFH03 120 SLIM 2.5G 25000 SL	K10305274162258	63	3	9	18	-	120
HSK-A 63 SFH03 160 SLIM 2.5G 25000 SL	K10305274175258	63	3	9	19	-	160
HSK-A 63 SFH04 080 SLIM 2.5G 25000 SL	K10305275131258	63	4	10	15	-	80
HSK-A 63 SFH04 120 SLIM 2.5G 25000 SL	K10305275162258	63	4	10	19	-	120
HSK-A 63 SFH04 160 SLIM 2.5G 25000 SL	K10305275175258	63	4	10	23	-	160
HSK-A 63 SFH05 080 SLIM 2.5G 25000 SL	K10305276131258	63	5	11	16	-	80
HSK-A 63 SFH05 120 SLIM 2.5G 25000 SL	K10305276162258	63	5	11	20	-	120
HSK-A 63 SFH05 160 SLIM 2.5G 25000 SL	K10305276175258	63	5	11	24	-	160
HSK-A 63 SFH06 080 SLIM 2.5G 25000 SL	K10305277131258	63	6	12	17	M5	80
HSK-A 63 SFH06 120 SLIM 2.5G 25000 SL	K10305277162258	63	6	12	21	M5	120
HSK-A 63 SFH06 160 SLIM 2.5G 25000 SL	K10305277175258	63	6	12	25	M5	160
HSK-A 63 SFH08 080 SLIM 2.5G 25000 SL	K10305285131258	63	8	14	19	M6	80
HSK-A 63 SFH08 120 SLIM 2.5G 25000 SL	K10305285162258	63	8	14	23	M6	120
HSK-A 63 SFH08 160 SLIM 2.5G 25000 SL	K10305285175258	63	8	14	27	M6	160
HSK-A 63 SFH10 085 SLIM 2.5G 25000 SL	K10305279135258	63	10	16	21.5	M8	85
HSK-A 63 SFH10 120 SLIM 2.5G 25000 SL	K10305279162258	63	10	16	25	M8	120
HSK-A 63 SFH10 160 SLIM 2.5G 25000 SL	K10305279175258	63	10	16	29	M8	160
HSK-A 63 SFH12 090 SLIM 2.5G 25000 SL	K10305280140258	63	12	18	24	M10	90
HSK-A 63 SFH12 120 SLIM 2.5G 25000 SL	K10305280162258	63	12	18	27	M10	120
HSK-A 63 SFH12 160 SLIM 2.5G 25000 SL	K10305280175258	63	12	18	31	M10	160
HSK-A 63 SFH14 090 SLIM 2.5G 25000 SL	K10305284140258	63	14	20	26	M10	90
HSK-A 63 SFH14 120 SLIM 2.5G 25000 SL	K10305284162258	63	14	20	29	M10	120
HSK-A 63 SFH14 160 SLIM 2.5G 25000 SL	K10305284175258	63	14	20	32	M10	160
HSK-A 63 SFH16 095 SLIM 2.5G 25000 SL	K10305281145258	63	16	22	28	M12	95
HSK-A 63 SFH16 120 SLIM 2.5G 25000 SL	K10305281162258	63	16	22	31	M12	120
HSK-A 63 SFH16 160 SLIM 2.5G 25000 SL	K10305281175258	63	16	22	34	M12	160
HSK-A 63 SFH18 095 SLIM 2.5G 25000 SL	K10305282145258	63	18	24	30	M12	95
HSK-A 63 SFH18 120 SLIM 2.5G 25000 SL	K10305282162258	63	18	24	33	M12	120
HSK-A 63 SFH18 160 SLIM 2.5G 25000 SL	K10305282175258	63	18	24	36	M12	160
HSK-A 63 SFH20 100 SLIM 2.5G 25000 SL	K10305283148258	63	20	26	32	M16	100
HSK-A 63 SFH20 120 SLIM 2.5G 25000 SL	K10305283162258	63	20	26	35	M16	120
HSK-A 63 SFH20 160 SLIM 2.5G 25000 SL	K10305283175258	63	20	26	38	M16	160

Note: All Dimensions are in mm

Maximum Run out of the Internal Dia with respect to the External Taper 0.003 mm

HSK - A (DIN 69893 - 1)  
Holders



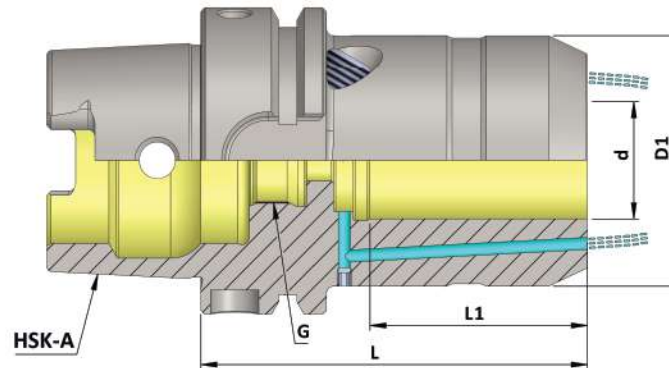
**HSK-A (DIN 69893-1) (SFH SLIM 3°)**

**(Balanced to 2.5 G 25000 RPM)**

Item Name	Item Code	HSK-A	d	D1	D2	G	L
HSK-A 100 SFH06 085 SLIM 2.5G 25000 SL	K10168277135258	100	6	12	17	M5	85
HSK-A 100 SFH06 120 SLIM 2.5G 25000 SL	K10168277162258	100	6	12	20.5	M5	120
HSK-A 100 SFH06 160 SLIM 2.5G 25000 SL	K10168277175258	100	6	12	24	M5	160
HSK-A 100 SFH08 085 SLIM 2.5G 25000 SL	K10168285135258	100	8	14	19	M6	85
HSK-A 100 SFH08 120 SLIM 2.5G 25000 SL	K10168285162258	100	8	14	22.5	M6	120
HSK-A 100 SFH08 160 SLIM 2.5G 25000 SL	K10168285175258	100	8	14	27	M6	160
HSK-A 100 SFH10 090 SLIM 2.5G 25000 SL	K10168279140258	100	10	16	21.5	M8	90
HSK-A 100 SFH10 120 SLIM 2.5G 25000 SL	K10168279162258	100	10	16	24.5	M8	120
HSK-A 100 SFH10 160 SLIM 2.5G 25000 SL	K10168279175258	100	10	16	29	M8	160
HSK-A 100 SFH12 095 SLIM 2.5G 25000 SL	K10168280145258	100	12	18	24	M10	95
HSK-A 100 SFH12 120 SLIM 2.5G 25000 SL	K10168280162258	100	12	18	26.5	M10	120
HSK-A 100 SFH12 160 SLIM 2.5G 25000 SL	K10168280175258	100	12	18	31	M10	160
HSK-A 100 SFH14 095 SLIM 2.5G 25000 SL	K10168284145258	100	14	20	26	M10	95
HSK-A 100 SFH14 120 SLIM 2.5G 25000 SL	K10168284162258	100	14	20	29	M10	120
HSK-A 100 SFH14 160 SLIM 2.5G 25000 SL	K10168284175258	100	14	20	32	M10	160
HSK-A 100 SFH16 100 SLIM 2.5G 25000 SL	K10168281148258	100	16	22	29	M12	100
HSK-A 100 SFH16 120 SLIM 2.5G 25000 SL	K10168281162258	100	16	22	31	M12	120
HSK-A 100 SFH16 160 SLIM 2.5G 25000 SL	K10168281175258	100	16	22	35	M12	160
HSK-A 100 SFH18 100 SLIM 2.5G 25000 SL	K10168282148258	100	18	24	30	M12	100
HSK-A 100 SFH18 120 SLIM 2.5G 25000 SL	K10168282162258	100	18	24	33	M12	120
HSK-A 100 SFH18 160 SLIM 2.5G 25000 SL	K10168282175258	100	18	24	36	M12	160
HSK-A 100 SFH20 105 SLIM 2.5G 25000 SL	K10168283148258	100	20	26	32	M16	105
HSK-A 100 SFH20 120 SLIM 2.5G 25000 SL	K10168283162258	100	20	26	35	M16	120
HSK-A 100 SFH20 160 SLIM 2.5G 25000 SL	K10168283175258	100	20	26	38	M16	160

Note: All Dimensions are in mm

Maximum Run out of the Internal Dia with respect to the External Taper 0.005 mm



HSK - A (DIN 69893 - 1)  
Holders

**HSK -A (DIN 69893-1) (HC) (FCC)**

**(Balanced to 2.5 G 25000 RPM)**

Item Name	Item Code	HSK-A	d	D1	G	L	L1
HSK-A 50 HC12S 085 FCC 2.5G25000 SL	K10166629135227	50	12	42	M10x1	85	40
HSK-A 50 HC20S 90 FCC 2.5G25000 SL	K10166168141124	50	20	50	M16x1	90	42
HSK-A 63 HC12S 080 FCC 2.5G25000 SL	K10305629135227	63	12	42	M10x1	80	40
HSK-A 63 HC20S 080 FCC 2.5G25000 SL	K10167168141124	63	20	50	M16x1	80	42
HSK-A 100 HC12S 095 FCC 2.5G 25000 SL	K10168629131255	100	12	42	M10x1	95	40
HSK-A 100 HC20S 090 FCC 2.5G25000 SL	K10168168152124	100	20	50	M16x1	90	42
HSK-A 100 HC32S 110 FCC 2.5G25000 SL	K10168272156227	100	32	72	M16x1	110	55

**Accessories:**



Reduction Sleeve (RS)  
 Ref. Page No. 242

Note: All Dimensions are in mm



## Minimum Length Compensation Tapping Chuck (MLC)

### ◆ Features :

- KTA "Minimum Length Compensation Tapping Chuck (MLC)" For Synchronised (Rigid) Tapping Cycle.
- Best suitable for Die & Mould Industry.
- Compression & Expansion +/- 0.5mm
- High Concentricity Enables High Speed Tapping.
- Positive Clamping Through ER Tap Collet.

### ◆ Technical Details :

- "MLC" Tapping Chucks to be used with CNC Machines, having Synchronised Tapping cycle.
- In this case, Rigid Tapping cycle takes care of tap pitch controlling the feed, spindle speed and feed. So, theoretically, ordinary holder without any compensation also should be suitable for performing the process.
- ◆ But by law of theory, following factors they do affect tapping quality, tap life etc.
  1. Dynamics of machine
  2. Synchronisation of spindle speed & feed.
  3. During Change of Spindle, Rotational direction and feed direction.
  4. Pitch error on Tap / Tolerance on Pitch

### ◆ This will lead to :

1. Less Tap life because of Flank wear ( one side)
2. Damaged Flanks on threads on the work piece
3. Threads not answering to Gauge.

◆ All above errors can be taken care by using ' MLC '

◆ KTA 'MLC' Tapping Chucks with +/- 0.5 mm compensation.

### ◆ Available In Following Range :

- ER 16 : M3 to M12
- ER 20 : M3 to M16
- ER 25 : M3 to M20
- ER 32 : M4 to M27
- ER 40 : M6 to M33

### ◆ Available In Mountings :

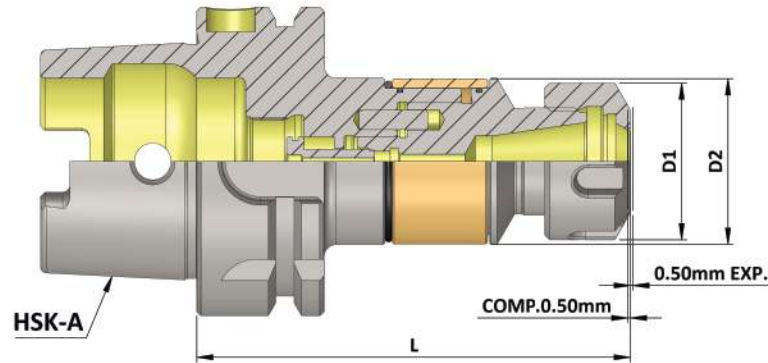
- BT (MAS 403) (DIN ISO 7388 - 2)
- BBT (MAS 403)
- SK (DIN 69871) (DIN ISO 7388 - 1)
- HSK - A (DIN 69893-1)
- CAT (ANSI B 5.50)
- Cylindrical Shank

### ◆ Balancing :

- Main Body Balanced to 2.5G 25000 RPM



Maximum Run out of the Internal Taper with respect to the External Taper 0.020 mm



HSK - A (DIN 69893 - 1)  
Holders

### HSK-A (DIN 69893-1) (MLC)

Item Name	Item Code	HSK-A	Capacity	Clampng Range	Nut Size	D1	D2	L	Comp.	Exp.
HSK-A 63 ER 16M 089 MLC	K10167157139245	63	M3-M12	1-10	ER 16M	22	34	89	0.5	0.5
HSK-A 63 ER 16 089 MLC	K10167149139245	63	M3-M12	1-10	ER 16	32	34	89	0.5	0.5
HSK-A 63 ER 20 090 MLC	K10167150140245	63	M3-M16	3.5-10	ER 20	35	34	90	0.5	0.5
HSK-A 63 ER 25 094 MLC	K10167151548245	63	M3-M20	3.5-16	ER 25	42	34	94	0.5	0.5
HSK-A 63 ER 32 105 MLC	K10167152152245	63	M4-M27	3.5-20	ER 32	50	45	105	0.5	0.5
HSK-A 63 ER 40 133.5 MLC	K10167153549245	63	M6-M33	6-26	ER 40	63	62	133.5	0.5	0.5

HSK-A 100 ER 16M 097 MLC	K10168157556245	100	M3-M12	1-10	ER 16M	22	34	97	0.5	0.5
HSK-A 100 ER 16 096 MLC	K10168149262245	100	M3-M12	1-10	ER 16	32	34	96	0.5	0.5
HSK-A 100 ER 20 097 MLC	K10168150562245	100	M3-M16	3.5-10	ER 20	35	34	97	0.5	0.5
HSK-A 100 ER 25 101 MLC	K10168151261245	100	M3-M20	3.5-16	ER 25	42	34	101	0.5	0.5
HSK-A 100 ER 32 110 MLC	K10168152156245	100	M4-M27	3.5-20	ER 32	50	45	110	0.5	0.5
HSK-A 100 ER 40 133 MLC	K10168153550245	100	M6-M33	6-26	ER 40	63	62	133	0.5	0.5

### Accessories:



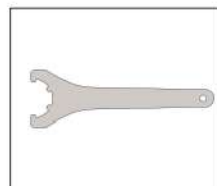
Tap Collet ER-G  
Ref. Page No. 238-240



Q.C. Tap Collet QCTC  
Ref. Page No. 243-251



ER Nut  
Ref. Page No. 220-221



ER Spanner  
Ref. Page No. 222

Note: All Dimensions are in mm



## Quick Change Tapping Chuck (KWFLK)

### KWFLK For CNC Machines

#### ◆ Application :

- Most Suitable Tapping Chuck for CNC Machines, Manual Drilling Machines, Lathe Machines & Milling machines.

#### ◆ Features:

- Quick Change feature to suit KTA - Quick Change Adaptors with and without safety clutch.
- Length compensation to compensate difference in pitch between positive feed and the pitch of the tap.
- The chuck is equipped with an adjustable device to increase the cutting pressure to ensure positive start when tapping cycle commences.
- Chucks WFLK can be applied horizontal or vertical and are used for right or left hand threads.

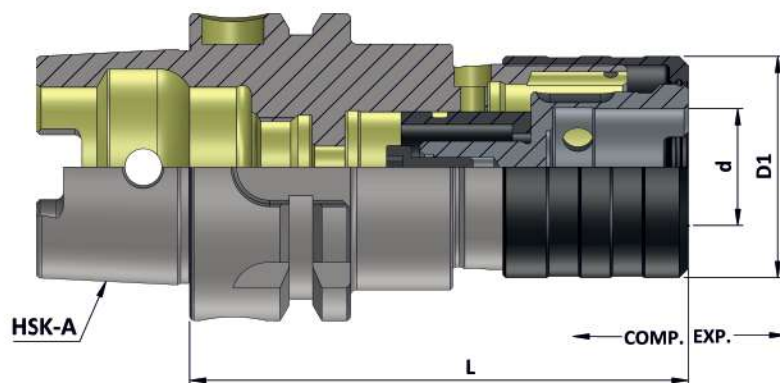
#### ◆ Available In Mountings :

- BT (MAS 403) (DIN ISO 7388 - 2)
- BBT (MAS 403)
- SK (DIN 69871) (DIN ISO 7388 - 1)
- HSK-A (DIN 69893-1)
- CAT (ANSI B 5.50)
- HSK-F (DIN 6989-1)
- Cylindrical Shank
- Morse Taper Shank

#### ◆ Available In Sizes :

- KWFLK1
- KWFLK2
- KWFLK3
- KWFLK4



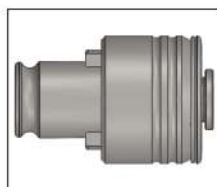


HSK - A (DIN 69893 - 1)  
 Holders

**HSK-A (DIN 69893-1) (KWFLK)**

Item Name	Item Code	HSK-A	Capacity	Suitable Adaptor	Comp.	Exp.	d	D1	L
HSK-A 50 KWFLK1 76.0 -	K10166169371127	50	M3-M12	KWES1B	7.5	7.5	19	36	76
HSK-A 50 KWFLK2 123.0 -	K10166170477127	50	M8-M20	KWES2B	12.5	12.5	31	53	123
HSK-A 63 KWFLK1 81.0 -	K10167169372127	63	M3-M12	KWES1B	7.5	7.5	19	36	81
HSK-A 63 KWFLK2 119.0 -	K10167170373127	63	M8-M20	KWES2B	12.5	12.5	31	53	119
HSK-A 63 KWFLK3 176.0 -	K10167171374127	63	M14-M33	KWES3B	20	20	48	78	176
HSK-A 100 KWFLK1 90.0 -	K10168169375127	100	M3-M12	KWES1B	7.5	7.5	19	36	90
HSK-A 100 KWFLK2 138.0 -	K10168170376127	100	M8-M20	KWES2B	12.5	12.5	31	53	138
HSK-A 100 KWFLK3 190.0 -	K10168171377127	100	M14-M33	KWES3B	20	20	48	78	190
HSK-A 100 KWFLK4 225.0 -	K10168172378127	100	M22-M48	KWES4B	22.5	22.5	60	96	225

**Accessories:**



Tap Adaptor KWES..B & KWESK..B  
 Ref. Page No. 260-279



Tap Adaptor  
 Reduction Socket KWRE  
 Ref. Page No. 280

**Note:** • All Dimensions are in mm  
 • For Tap Shank Dimension & Recommended Torque Values Ref. Page No. 281-284