



## KTA SPINDLE TOOLINGS

A Tool Holder Company

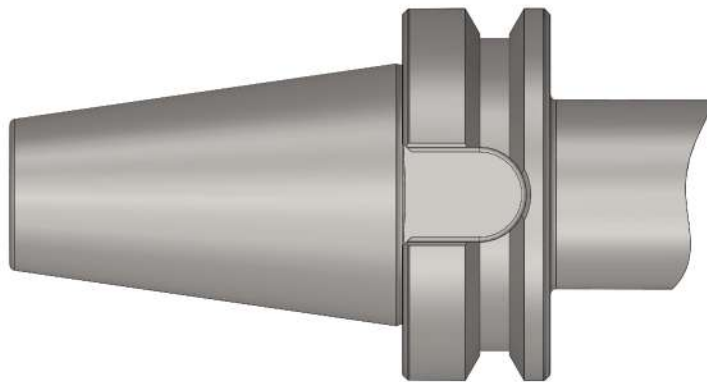
[www.ktaspindletoolings.com](http://www.ktaspindletoolings.com)












Check Stock @ Link  
<http://119.81.67.54/CRMWebsite/ViewCurrentStockPosition.aspx>  
And send enquiry to the nearest dealer.

# 2019






**TAPER & BOTH FACE CONTACT HOLDER  
KBT (BT MAS 403)**



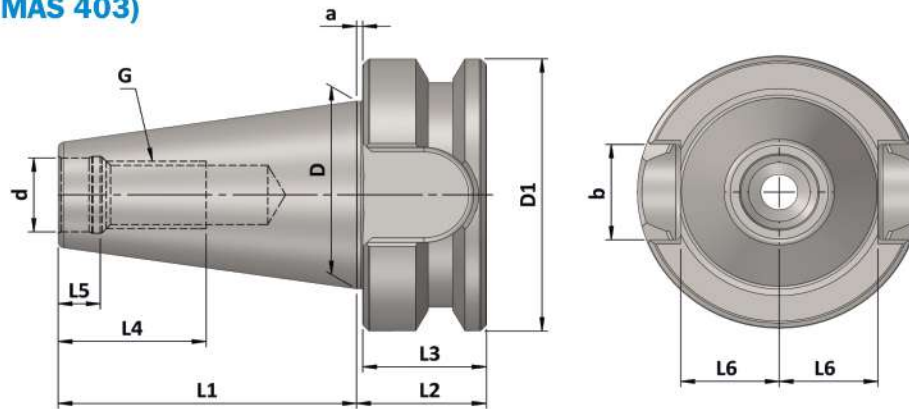
## INDEX

Sr. No.	Contents		Page No.
1	<b>Technical Information : KBT (BT MAS 403)</b> (Taper & Both Face Contact Holder)		55 - 56
2	<b>KBT Collet Chuck ER (DIN 6499)</b> <ul style="list-style-type: none"> <li>• Collet Chuck ER (AD)</li> <li>• Collet Chuck ER M Type (AD)</li> <li>• Collet Chuck ER A Type (Short GP)</li> </ul>		57 - 60
3	<b>KBT Weldon Type End Mill Holders (DIN 6359)</b> <ul style="list-style-type: none"> <li>• Weldon (WE) (AD)</li> <li>• Weldon (WE - FCC) (AD)</li> </ul>		61 - 66
4	<b>KBT Face Mill Holders (DIN 6357)</b> <ul style="list-style-type: none"> <li>• FMH (AD)</li> <li>• FMH-K (Through Coolant) (AD)</li> </ul>		67 - 68
5	KBT Combi Shell Mill Adaptor (CSMA) (DIN 6358)		69
6	KBT Morse Taper Adaptor (MTA) (DIN 6383)		70
7	KBT Boring Bar Blank		71
8	KBT NC Drill Chuck (NCDC)		72
9	KBT Die & Mould Chuck (DMC)		73 - 74
10	KBT Power Milling Chuck (PMC)		75 - 76

## INDEX

Sr. No.	Contents		Page No.
11	KBT Milling Cutter Arbor (MCA)		77 - 79
12	<b>KBT Shrink Fit Holders 4.5 Degree (SFH 4.5°)</b> <ul style="list-style-type: none"> <li>• Shrink Fit Holder (SFH 4.5°) (AD)</li> <li>• Shrink Fit Holder (SFH FCC 4.5°) (AD) (Face Coolant Channel)</li> </ul>		80 - 90
13	KBT Shrink Fit Holders Slim 3 Degree (SFH Slim 3°)		91 - 93
14	KBT Minimum Length Compensation Tapping Chuck (MLC)		94 - 95
15	KBT Quick Change Tapping Chuck (KWFLK)		96 - 97

## KBT (BT MAS 403)



ISO	d	D	D1	a	b	G	L1	L2	L3	L4	L5	L6
30	12.5	31.75	46	1	16.1	M12	48.4	21	20	24	7.0	16.3
40	17	44.45	63	1	16.1	M16	65.4	27	26	32	9.0	22.6
50	25	69.85	100	1.5	25.7	M24	101.8	38	36.5	47	13.0	35.4

### ◆ Features:

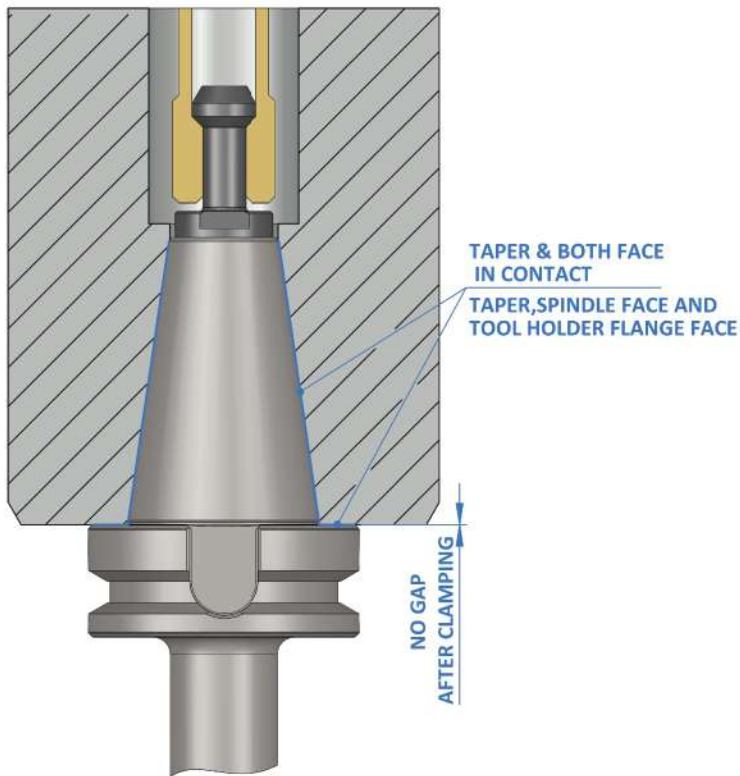
- KBT Tool Holder Provides More “Rigid” Clamping than the Standard “BT” Tool Holders.
- Achieves Higher “Radial Rigidity”
- Improves Tool life.
- Balanced to 2.5 G, 25000 RPM.

○ **Material** :- Case hardened steel, tensile strength in the core min. 950 N/mm<sup>2</sup>

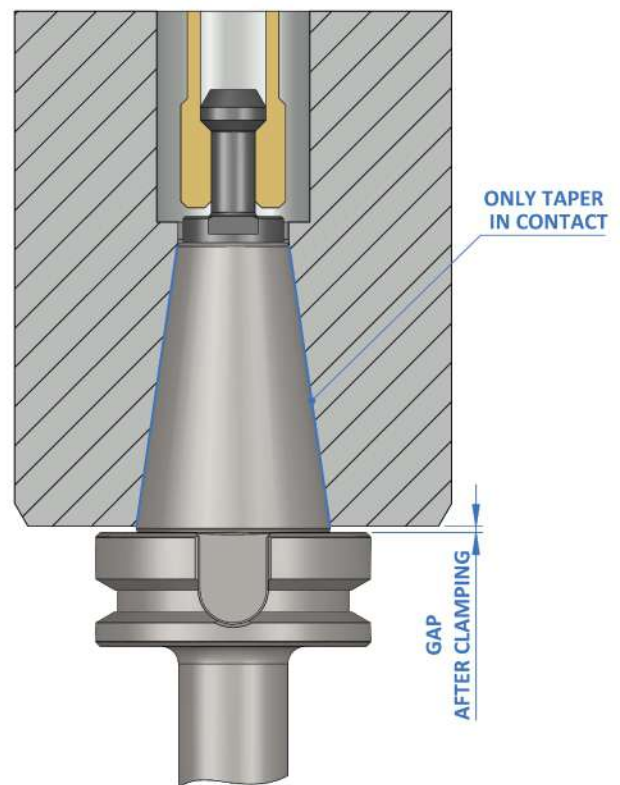
○ **Execution** :- Case hardened to HRC 58 ± 2, Case Depth 0.8 mm., Silver finish.

○ **Accuracy** :- 7:24 Taper Angle Class AT 3 As per DIN 2080

## KBT (BT MAS 403) TAPER AND BOTH FACE CONTACT HOLDER (After Clamping)



## BT (MAS 403) STANDARD HOLDER (ONLY TAPER CONTACT) (After Clamping)

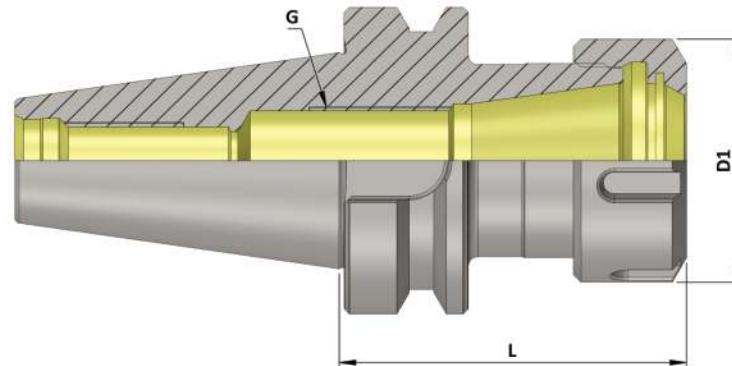


In KBT Tool Holder as mentioned Taper and both faces are in contact, due to which spindle and holder acts as one single unit, this allows a Higher “Radial Rigidity” hence we get good surface finish and dimensional accuracy while machining, also low vibration at higher speeds which increases Tool Life. Hence KBT Tool Holder has a remarkable significant as compared to Standard Tool Holders.

### Note :

**KBT Tool Holders are only recommended to use in Calibrated KBT Spindle Machines.**

Maximum Run out of the Internal Taper with respect to the External Taper 0.005 mm



BRT (MAS 403)  
Holders

**KBT (Collet Chuck ER) (AD)**

**(Balanced to 2.5 G 25000 RPM)**

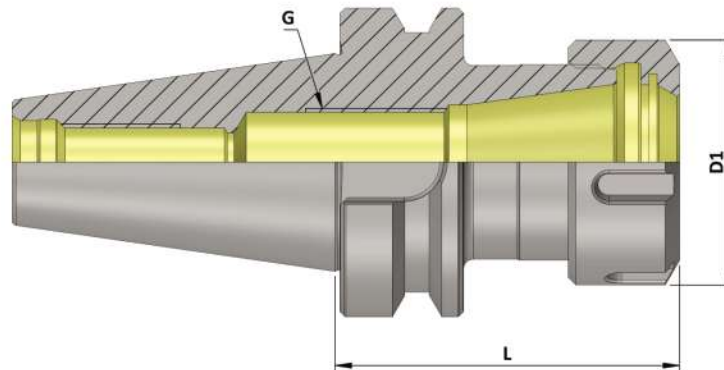
Item Name	Item Code	ISO	Suitable Collet	Collet Capacity	D1	G	L	Nut	Spanner
KBT30 ER 16 060 AD/2.5G 25000 SL	K10307149117110	30	ER 16	0.5-10	32	M10X1	60	UM/ER16	E16
KBT30 ER 16 100 AD/2.5G 25000 SL	K10307149148110	30	ER 16	0.5-10	32	M10X1	100	UM/ER16	E16
KBT30 ER 20 060 AD/2.5G 25000 SL	K10307150117110	30	ER 20	1.0-13	35	M10X1	60	UM/ER20	E20
KBT30 ER 20 100 AD/2.5G 25000 SL	K10307150148110	30	ER 20	1.0-13	35	M10X1	100	UM/ER20	E20
KBT30 ER 25 060 AD/2.5G 25000 SL	K10307151117110	30	ER 25	1.0-16	42	M18X1	60	UM/ER25	E25
KBT30 ER 25 100 AD/2.5G 25000 SL	K10307151148110	30	ER 25	1.0-16	42	M18X1	100	UM/ER25	E25
KBT30 ER 32 050 AD/2.5G 25000 SL	K10307152111228	30	ER32	2.0-20	50	M22X1.5	50	UM/ER32	E32
KBT30 ER 32 060 AD/2.5G 25000 SL	K10307152117110	30	ER 32	2.0-20	50	M22X1.5	60	UM/ER32	E32
KBT30 ER 32 100 AD/2.5G 25000 SL	K10307152148110	30	ER 32	2.0-20	50	M22X1.5	100	UM/ER32	E32
KBT30 ER 40 080 AD/2.5G 25000 SL	K10307153131110	30	ER 40	3.0-26	63	M30X1.5	80	UM/ER40	E40

KBT40 ER 16 070 AD/2.5G 25000 SL	K10291149125110	40	ER16	0.5-10	32	M10x1	70	UM/ER16	E16
KBT40 ER 16 100 AD/2.5G 25000 SL	K10291149148110	40	ER16	0.5-10	32	M10x1	100	UM/ER16	E16
KBT40 ER 16 160 AD/2.5G 25000 SL	K10291149175110	40	ER16	0.5-10	32	M10x1	160	UM/ER16	E16
KBT40 ER 20 070 AD/2.5G 25000 SL	K10291150125110	40	ER20	1.0-13	35	M10x1	70	UM/ER20	E20
KBT40 ER 20 100 AD/2.5G 25000 SL	K10291150148110	40	ER20	1.0-13	35	M10x1	100	UM/ER20	E20
KBT40 ER 20 160 AD/2.5G 25000 SL	K10291150175110	40	ER20	1.0-13	35	M10x1	160	UM/ER20	E20
KBT40 ER 25 070 AD/2.5G 25000 SL	K10291151125110	40	ER25	1.0-16	42	M18x1	70	UM/ER25	E25
KBT40 ER 25 100 AD/2.5G 25000 SL	K10291151148110	40	ER25	1.0-16	42	M18x1	100	UM/ER25	E25
KBT40 ER 25 160 AD/2.5G 25000 SL	K10291151175110	40	ER25	1.0-16	42	M18x1	160	UM/ER25	E25
KBT40 ER 32 070 AD/2.5G 25000 SL	K10291152125110	40	ER32	2.0-20	50	M22x1.5	70	UM/ER32	E32
KBT40 ER 32 100 AD/2.5G 25000 SL	K10291152148110	40	ER32	2.0-20	50	M22x1.5	100	UM/ER32	E32
KBT40 ER 32 160 AD/2.5G 25000 SL	K10291152175110	40	ER32	2.0-20	50	M22x1.5	160	UM/ER32	E32
KBT40 ER 40 070 AD/2.5G 25000 SL	K10291153125110	40	ER40	3.0-26	63	M30x1.5	70	UM/ER40	E40
KBT40 ER 40 100 AD/2.5G 25000 SL	K10291153148110	40	ER40	3.0-26	63	M30x1.5	100	UM/ER40	E40
KBT40 ER 40 160 AD/2.5G 25000 SL	K10291153175110	40	ER40	3.0-26	63	M30x1.5	160	UM/ER40	E40
KBT40 ER 50 100 AD/2.5G 25000 SL	K10291154148110	40	ER50	10.0-34	78	M16x2	100	UM/ER50	E50

Note: All Dimensions are in mm

Maximum Run out of the Internal Taper with respect to the External Taper 0.005 mm

BBT (MAS 403)  
Holders



**KBT (Collet Chuck ER) (AD)**

**(Balanced to 2.5 G 25000 RPM)**

Item Name	Item Code	ISO	Suitable Collet	Collet Capacity	D1	G	L	Nut	Spanner
KBT50 ER 16 080 AD/2.5G 25000 SL	K10308149131110	50	ER16	0.5-10	32	M10X1	80	UM/ER16	E16
KBT50 ER 16 100 AD/2.5G 25000 SL	K10308149148110	50	ER16	0.5-10	32	M10X1	100	UM/ER16	E16
KBT50 ER 16 160 AD/2.5G 25000 SL	K10308149175110	50	ER16	0.5-10	32	M10X1	160	UM/ER16	E16
KBT50 ER 20 100 AD/2.5G 25000 SL	K10308150148110	50	ER20	1.0-13	35	M10X1	100	UM/ER20	E20
KBT50 ER 20 160 AD/2.5G 25000 SL	K10308150175110	50	ER20	1.0-13	35	M10X1	160	UM/ER20	E20
KBT50 ER 25 080 AD/2.5G 25000 SL	K10308151131110	50	ER25	1.0-16	42	M18X1	80	UM/ER25	E25
KBT50 ER 25 100 AD/2.5G 25000 SL	K10308151148110	50	ER25	1.0-16	42	M18X1	100	UM/ER25	E25
KBT50 ER 25 160 AD/2.5G 25000 SL	K10308151175110	50	ER25	1.0-16	42	M18X1	160	UM/ER25	E25
KBT50 ER 32 080 AD/2.5G 25000 SL	K10308152131110	50	ER32	2.0-20	50	M22X1.5	80	UM/ER32	E32
KBT50 ER 32 100 AD/2.5G 25000 SL	K10308152148110	50	ER32	2.0-20	50	M22X1.5	100	UM/ER32	E32
KBT50 ER 32 160 AD/2.5G 25000 SL	K10308152175110	50	ER32	2.0-20	50	M22X1.5	160	UM/ER32	E32
KBT50 ER 40 080 AD/2.5G 25000 SL	K10308153131110	50	ER40	3.0-26	63	M30X1.5	80	UM/ER40	E40
KBT50 ER 40 100 AD/2.5G 25000 SL	K10308153148110	50	ER40	3.0-26	63	M30X1.5	100	UM/ER40	E40
KBT50 ER 40 160 AD/2.5G 25000 SL	K10308153175110	50	ER40	3.0-26	63	M30X1.5	160	UM/ER40	E40
KBT50 ER 50 100 AD/2.5G 25000 SL	K10308154148110	50	ER50	10.0-34	78	M16X2	100	UM/ER50	E50
KBT50 ER 50 160 AD/2.5G 25000 SL	K10308154175110	50	ER50	10.0-34	78	M16X2	160	UM/ER50	E50

**Accessories:**



Collet ER (DIN 6499)  
Ref. Page No. 233-237



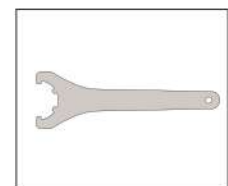
Tap Collet ER-G  
Ref. Page No. 238-240



Q.C.Tap Collet (QCTC)  
Ref. Page No. 243-251



ER Nut  
Ref. Page No.220-221

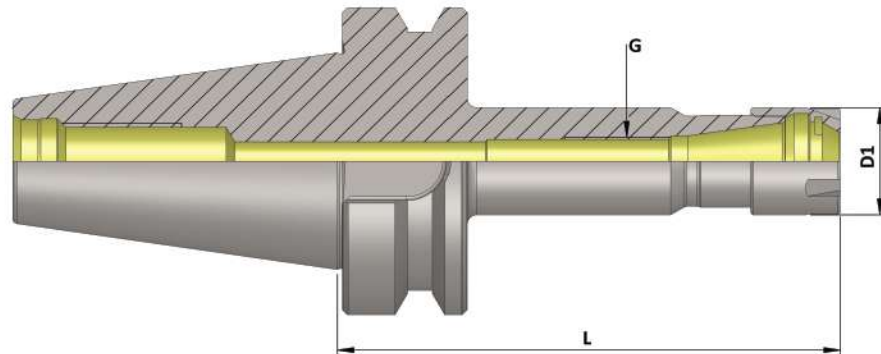


ER Spanner  
Ref. Page No. 222

Note: All Dimensions are in mm



Maximum Run out of the Internal Taper with respect to the External Taper 0.005 mm



BRT (MAS 403)  
Holders

**KBT (Collet Chuck ER - M Type) (AD)**

**(Balanced to 2.5 G 25000 RPM)**

Item Name	Item Code	ISO	Suitable Collet	Collet Capacity	D1	G	L	Nut	Spanner
KBT40 ER11M 070 AD/2.5G 25000 SL	K10291156125228	40	ER11	0.5-7	16	M6X1	70	ER11M	E11M
KBT40 ER11M 100 AD/2.5G 25000 SL	K10291156148228	40	ER11	0.5-7	16	M6X1	100	ER11M	E11M
KBT40 ER11M 160 AD/2.5G 25000 SL	K10291156175228	40	ER11	0.5-7	16	M6X1	160	ER11M	E11M
KBT40 ER16M 070 AD/2.5G 25000 SL	K10291157125228	40	ER16	0.5-10	22	M10X1	70	ER16M	E16M
KBT40 ER16M 100 AD/2.5G 25000 SL	K10291157148228	40	ER16	0.5-10	22	M10X1	100	ER16M	E16M
KBT40 ER16M 120 AD/2.5G 25000 SL	K10291157162228	40	ER16	0.5-10	22	M10X1	120	ER16M	E16M
KBT40 ER16M 160 AD/2.5G 25000 SL	K10291157175228	40	ER16	0.5-10	22	M10X1	160	ER16M	E16M
KBT40 ER20M 120 AD/2.5G 25000 SL	K10291158162228	40	ER20	1.0-13	28	M10X1	120	ER20M	E20M
KBT40 ER20M 160 AD/2.5G 25000 SL	K10291158175228	40	ER20	1.0-13	28	M10X1	160	ER20M	E20M
KBT40 ER25M 070 AD/2.5G 25000 SL	K10291159125228	40	ER25	1.0-16	35	M18X1	70	ER25M	E25M
KBT40 ER25M 100 AD/2.5G 25000 SL	K10291159148228	40	ER25	1.0-16	35	M18X1	100	ER25M	E25M
KBT40 ER25M 120 AD/2.5G 25000 SL	K10291159162228	40	ER25	1.0-16	35	M18X1	120	ER25M	E25M
KBT40 ER25M 160 AD/2.5G 25000 SL	K10291159175228	40	ER25	1.0-16	35	M18X1	160	ER25M	E25M

**Accessories:**



Collet ER (DIN 6499)  
Ref. Page No. 233-237



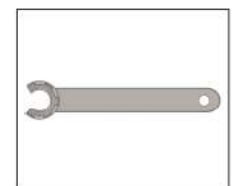
Tap Collet ER-G  
Ref. Page No. 238-240



Q.C. Tap Collet (QCTC)  
Ref. Page No. 243-251



ER - M Nut  
Ref. Page No. 220-221

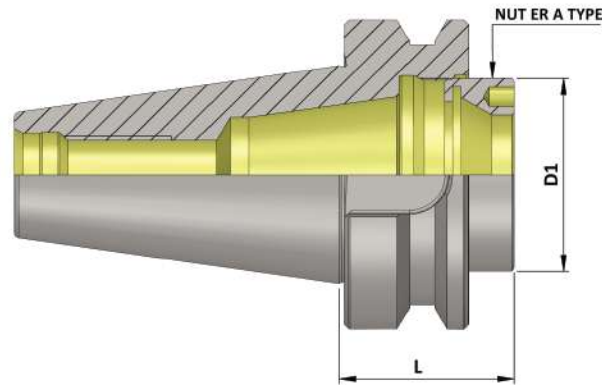


ER M Type Spanner  
Ref. Page No. 222

Note: All Dimensions are in mm

Maximum Run out of the Internal Taper with respect to the External Taper 0.005 mm

BBT (MAS-403)  
Holders

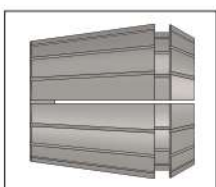


**KBT (Short GP Collet Chuck ER - A)**

**(Balanced to 2.5 G 25000 RPM)**

Item Name	Item Code	ISO	Suitable Collet	Collet Capacity	D1	L	Suitable Nut
KBT30 ER 25A 026 AD/2.5G 25000 SL	K10307243500228	30	ER 25	1-16	32	26	ER25A

**Accessories:**



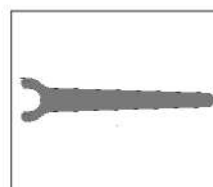
Collet ER (DIN 6499)  
Ref. Page No. 233-237



Tap Collet ER-G  
Ref. Page No. 238-240



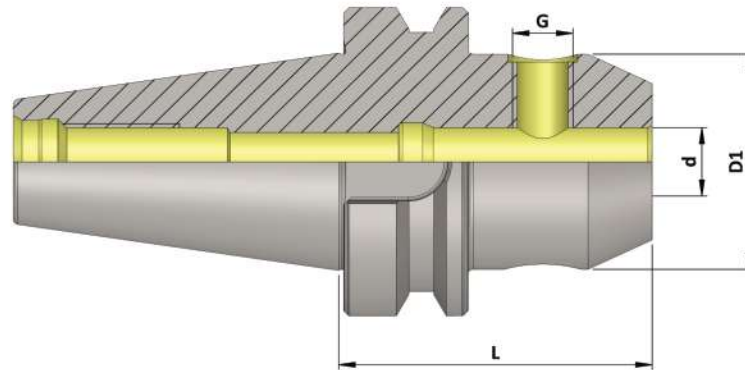
Q.C.Tap Collet (QCTC)  
Ref. Page No. 243-251



ER A Type Spanner  
Ref. Page No. 222

**Note:** All Dimensions are in mm

Maximum Run out of the Internal Dia with respect to the External Taper 0.005 mm



**KBT (WE) (AD)**

**(Balanced to 6.3 G 15000 RPM)**

Item Name	Item Code	ISO	d	D1	G	L	Screw Qty.
KBT30 WE06 050 AD/6.3G 15000 SL	K10307111111110	30	6	25	M6	50	1
KBT30 WE08 050 AD/6.3G 15000 SL	K10307112111110	30	8	28	M8	50	1
KBT30 WE10 050 AD/6.3G 15000 SL	K10307113111110	30	10	35	M10	50	1
KBT30 WE12 055 AD/6.3G 15000 SL	K10307114115110	30	12	42	M12	55	1
KBT30 WE14 055 AD/6.3G 15000 SL	K10307258115110	30	14	44	M12	55	1
KBT30 WE16 063 AD/6.3G 15000 SL	K10307115563110	30	16	48	M14	63	1
KBT30 WE18 063 AD/6.3G 15000 SL	K10307259563110	30	18	50	M14	63	1
KBT30 WE20 070 AD/6.3G 15000 SL	K10307116125110	30	20	52	M16	70	1

**KBT (WE) (AD) SHORT GP**

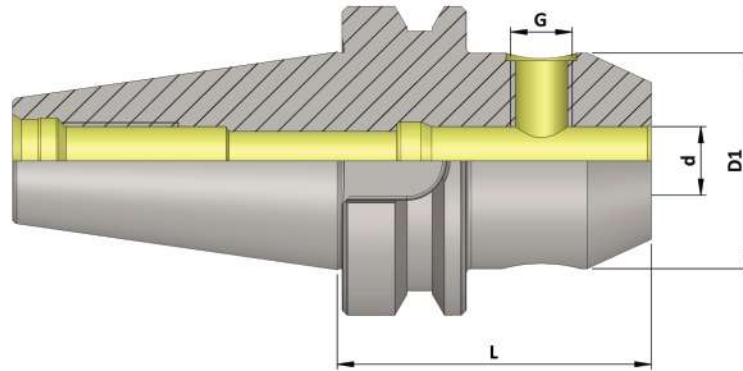
**(Balanced to 2.5 G 25000 RPM)**

KBT30 WE06 035 2.5G 25000 SL	K10307111599228	30	6	25	M6	35	1
KBT30 WE08 035 2.5G 25000 SL	K10307112599228	30	8	28	M8	35	1
KBT30 WE10 035 2.5G 25000 SL	K10307113599228	30	10	35	M10	35	1
KBT30 WE12 035 2.5G 25000 SL	K10307114599228	30	12	42	M12	35	1
KBT30 WE14 035 2.5G 25000 SL	K10307258599228	30	14	42	M12	35	1
KBT30 WE16 035 2.5G 25000 SL	K10307115599228	30	16	42	M14	35	1
KBT30 WE18 035 2.5G 25000 SL	K10307259599228	30	18	42	M14	35	1
KBT30 WE20 035 2.5G 25000 SL	K10307116599228	30	20	42	M16	35	1

**Note:** • All Dimensions are in mm  
 • These Holders are most suitable for Weldon Type End Mill as per standard DIN 1835 - B

Maximum Run out of the Internal Dia with respect to the External Taper 0.005 mm

BBT (MAS 403)  
 Holders



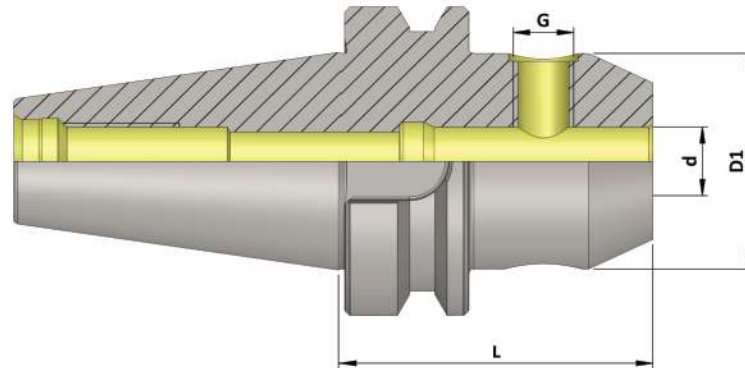
**KBT (WE) (AD)**

**(Balanced to 6.3 G 15000 RPM)**

Item Name	Item Code	ISO	d	D1	G	L	Screw Qty.
KBT40 WE06 050 AD/6.3G 15000 SL	K10291111111110	40	6	25	M6	50	1
KBT40 WE06 100 AD/6.3G 15000 SL	K10291111148110	40	6	25	M6	100	1
KBT40 WE06 160 AD/6.3G 15000 SL	K10291111175110	40	6	25	M6	160	1
KBT40 WE08 050 AD/6.3G 15000 SL	K10291112111110	40	8	28	M8	50	1
KBT40 WE08 100 AD/6.3G 15000 SL	K10291112148110	40	8	28	M8	100	1
KBT40 WE08 160 AD/6.3G 15000 SL	K10291112175110	40	8	28	M8	160	1
KBT40 WE10 063 AD/6.3G 15000 SL	K10291113111110	40	10	35	M10	63	1
KBT40 WE10 100 AD/6.3G 15000 SL	K10291113148110	40	10	35	M10	100	1
KBT40 WE10 160 AD/6.3G 15000 SL	K10291113175110	40	10	35	M10	160	1
KBT40 WE12 063 AD/6.3G 15000 SL	K10291114563110	40	12	42	M12	63	1
KBT40 WE12 100 AD/6.3G 15000 SL	K10291114148110	40	12	42	M12	100	1
KBT40 WE12 160 AD/6.3G 15000 SL	K10291114175110	40	12	42	M12	160	1
KBT40 WE14 063 AD/6.3G 15000 SL	K10291258563110	40	14	44	M12	63	1
KBT40 WE14 100 AD/6.3G 15000 SL	K10291258148110	40	14	44	M12	100	1
KBT40 WE14 160 AD/6.3G 15000 SL	K10291258175110	40	14	44	M12	160	1
KBT40 WE16 063 AD/6.3G 15000 SL	K10291115563110	40	16	48	M14	63	1
KBT40 WE16 100 AD/6.3G 15000 SL	K10291115148110	40	16	48	M14	100	1
KBT40 WE16 160 AD/6.3G 15000 SL	K10291115175110	40	16	48	M14	160	1
KBT40 WE18 063 AD/6.3G 15000 SL	K10291259563110	40	18	50	M14	63	1
KBT40 WE18 100 AD/6.3G 15000 SL	K10291259148110	40	18	50	M14	100	1
KBT40 WE18 160 AD/6.3G 15000 SL	K10291259175110	40	18	50	M14	160	1
KBT40 WE20 063 AD/6.3G 15000 SL	K10291116563110	40	20	52	M16	63	1
KBT40 WE20 100 AD/6.3G 15000 SL	K10291116148110	40	20	52	M16	100	1
KBT40 WE20 160 AD/6.3G 15000 SL	K10291116175110	40	20	52	M16	160	1
KBT40 WE25 090 AD/6.3G 15000 SL	K10291117140110	40	25	65	M18X2	90	2
KBT40 WE25 160 AD/6.3G 15000 SL	K10291117175110	40	25	65	M18X2	160	2
KBT40 WE32 100 AD/6.3G 15000 SL	K10291118148110	40	32	72	M20X2	100	2
KBT40 WE32 160 AD/6.3G 15000 SL	K10291118175110	40	32	72	M20X2	160	2
KBT40 WE40 105 AD/6.3G 15000 SL	K10291119152110	40	40	80	M20X2	105	2
KBT40 WE40 160 AD/6.3G 15000 SL	K10291119175110	40	40	80	M20X2	160	2

**Note:** • All Dimensions are in mm  
 • These Holders are most suitable for Weldon Type End Mill as per standard DIN 1835 - B

Maximum Run out of the Internal Dia with respect to the External Taper 0.005 mm



**KBT (WE) (AD)**

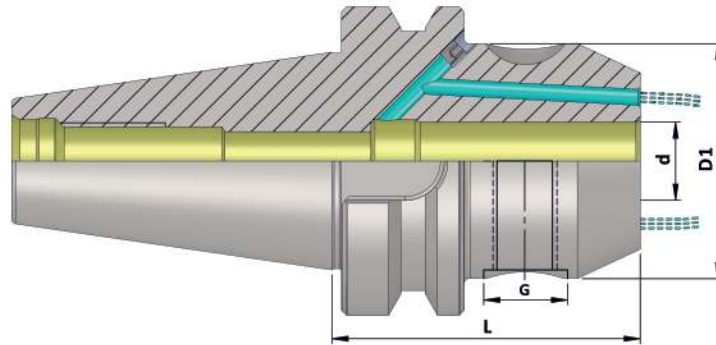
**(Balanced to 6.3 G 15000 RPM)**

Item Name	Item Code	ISO	d	D1	G	L	Screw Qty.
KBT50 WE06 063 AD/6.3G 15000 SL	K10308111563110	50	6	25	M6	63	1
KBT50 WE06 100 AD/6.3G 15000 SL	K10308111148110	50	6	25	M6	100	1
KBT50 WE06 160 AD/6.3G 15000 SL	K10308111175110	50	6	25	M6	160	1
KBT50 WE08 063 AD/6.3G 15000 SL	K10308112563110	50	8	28	M8	63	1
KBT50 WE08 100 AD/6.3G 15000 SL	K10308112148110	50	8	28	M8	100	1
KBT50 WE08 160 AD/6.3G 15000 SL	K10308112175110	50	8	28	M8	160	1
KBT50 WE10 080 AD/6.3G 15000 SL	K10308113563110	50	10	35	M10	80	1
KBT50 WE10 100 AD/6.3G 15000 SL	K10308113148110	50	10	35	M10	100	1
KBT50 WE10 160 AD/6.3G 15000 SL	K10308113175110	50	10	35	M10	160	1
KBT50 WE12 080 AD/6.3G 15000 SL	K10308114563110	50	12	42	M12	80	1
KBT50 WE12 100 AD/6.3G 15000 SL	K10308114148110	50	12	42	M12	100	1
KBT50 WE12 160 AD/6.3G 15000 SL	K10308114175110	50	12	42	M12	160	1
KBT50 WE14 080 AD/6.3G 15000 SL	K10308258563110	50	14	44	M12	80	1
KBT50 WE14 100 AD/6.3G 15000 SL	K10308258148110	50	14	44	M12	100	1
KBT50 WE14 160 AD/6.3G 15000 SL	K10308258175110	50	14	44	M12	160	1
KBT50 WE16 080 AD/6.3G 15000 SL	K10308115563110	50	16	48	M14	80	1
KBT50 WE16 100 AD/6.3G 15000 SL	K10308115148110	50	16	48	M14	100	1
KBT50 WE16 160 AD/6.3G 15000 SL	K10308115175110	50	16	48	M14	160	1
KBT50 WE18 080 AD/6.3G 15000 SL	K10308259563110	50	18	50	M14	80	1
KBT50 WE18 100 AD/6.3G 15000 SL	K10308259148110	50	18	50	M14	100	1
KBT50 WE18 160 AD/6.3G 15000 SL	K10308259175110	50	18	50	M14	160	1
KBT50 WE20 080 AD/6.3G 15000 SL	K10308116131110	50	20	52	M16	80	1
KBT50 WE20 100 AD/6.3G 15000 SL	K10308116148110	50	20	52	M16	100	1
KBT50 WE20 160 AD/6.3G 15000 SL	K10308116175110	50	20	52	M16	160	1
KBT50 WE25 100 AD/6.3G 15000 SL	K10308117148110	50	25	65	M18X2	100	2
KBT50 WE25 160 AD/6.3G 15000 SL	K10308117175110	50	25	65	M18X2	160	2
KBT50 WE32 105 AD/6.3G 15000 SL	K10308118152110	50	32	72	M20X2	105	2
KBT50 WE32 160 AD/6.3G 15000 SL	K10308118175110	50	32	72	M20X2	160	2
KBT50 WE40 115 AD/6.3G 15000 SL	K10308119159110	50	40	80	M20X2	115	2
KBT50 WE40 160 AD/6.3G 15000 SL	K10308119175110	50	40	80	M20X2	160	2
KBT50 WE50 125 AD/6.3G 15000 SL	K10308120164110	50	50	100	M24 X 2	125	2

**Note:** • All Dimensions are in mm  
 • These Holders are most suitable for Weldon Type End Mill as per standard DIN 1835 - B

Maximum Run out of the Internal Dia with respect to the External Taper 0.005 mm

BBT (MAS 403)  
Holders



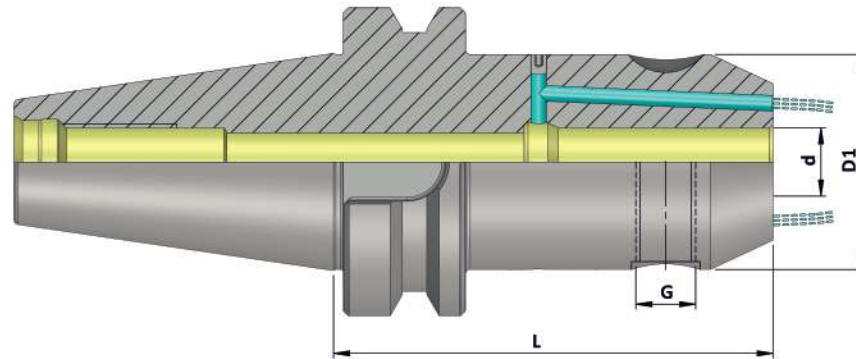
**KBT (WE : FCC)**

**(Balanced to 2.5G 25000 RPM)**

Item Name	Item Code	ISO	d	D1	G	L	Screw Qty.
KBT30 WE06 050 FCC 2.5G 25000 SL	K10307111111256	30	6	25	M6	50	1
KBT30 WE08 050 FCC 2.5G 25000 SL	K10307112111256	30	8	28	M8	50	1
KBT30 WE10 050 FCC 2.5G 25000 SL	K10307113111256	30	10	35	M10	50	1
KBT30 WE12 055 FCC 2.5G 25000 SL	K10307114115256	30	12	42	M12	55	1
KBT30 WE14 055 FCC 2.5G 25000 SL	K10307258115256	30	14	44	M12	55	1
KBT30 WE16 063 FCC 2.5G 25000 SL	K10307115563256	30	16	48	M14	63	1
KBT30 WE18 063 FCC 2.5G 25000 SL	K10307259563256	30	18	50	M14	63	1
KBT30 WE20 070 FCC 2.5G 25000 SL	K10307116125256	30	20	52	M16	70	1

**Note:** • All Dimensions are in mm  
 • These Holders are most suitable for Weldon Type End Mill as per standard DIN 1835 - B

Maximum Run out of the Internal Dia with respect to the External Taper 0.005 mm



**KBT (WE : FCC)**

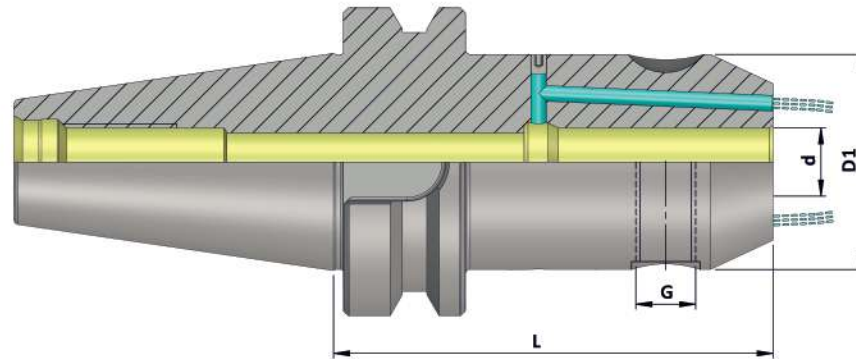
**(Balanced to 2.5 G 25000 RPM)**

Item Name	Item Code	ISO	d	D1	G	L	Screw Qty.
KBT40 WE06 050 FCC 2.5G 25000 SL	K1029111111256	40	6	25	M6	50	1
KBT40 WE06 100 FCC 2.5G 25000 SL	K10291111148256	40	6	25	M6	100	1
KBT40 WE06 160 FCC 2.5G 25000 SL	K10291111175256	40	6	25	M6	160	1
KBT40 WE08 050 FCC 2.5G 25000 SL	K10291112111256	40	8	28	M8	50	1
KBT40 WE08 100 FCC 2.5G 25000 SL	K10291112148256	40	8	28	M8	100	1
KBT40 WE08 160 FCC 2.5G 25000 SL	K10291112175256	40	8	28	M8	160	1
KBT40 WE10 063 FCC 2.5G 25000 SL	K10291113563256	40	10	35	M10	63	1
KBT40 WE10 100 FCC 2.5G 25000 SL	K10291113148256	40	10	35	M10	100	1
KBT40 WE10 160 FCC 2.5G 25000 SL	K10291113175256	40	10	35	M10	160	1
KBT40 WE12 063 FCC 2.5G 25000 SL	K10291114563256	40	12	42	M12	63	1
KBT40 WE12 100 FCC 2.5G 25000 SL	K10291114148256	40	12	42	M12	100	1
KBT40 WE12 160 FCC 2.5G 25000 SL	K10291114175256	40	12	42	M12	160	1
KBT40 WE14 063 FCC 2.5G 25000 SL	K10291258563256	40	14	44	M12	63	1
KBT40 WE14 100 FCC 2.5G 25000 SL	K10291258148256	40	14	44	M12	100	1
KBT40 WE14 160 FCC 2.5G 25000 SL	K10291258175256	40	14	44	M12	160	1
KBT40 WE16 063 FCC 2.5G 25000 SL	K10291115563256	40	16	48	M14	63	1
KBT40 WE16 100 FCC 2.5G 25000 SL	K10291115148256	40	16	48	M14	100	1
KBT40 WE16 160 FCC 2.5G 25000 SL	K10291115175256	40	16	48	M14	160	1
KBT40 WE18 063 FCC 2.5G 25000 SL	K10291259563256	40	18	50	M14	63	1
KBT40 WE18 100 FCC 2.5G 25000 SL	K10291259148256	40	18	50	M14	100	1
KBT40 WE18 160 FCC 2.5G 25000 SL	K10291259175256	40	18	50	M14	160	1
KBT40 WE20 063 FCC 2.5G 25000 SL	K10291116563256	40	20	52	M16	63	1
KBT40 WE20 100 FCC 2.5G 25000 SL	K10291116148256	40	20	52	M16	100	1
KBT40 WE20 160 FCC 2.5G 25000 SL	K10291116175256	40	20	52	M16	160	1
KBT40 WE25 090 FCC 2.5G 25000 SL	K10291117140256	40	25	65	M18X2	90	2
KBT40 WE25 160 FCC 2.5G 25000 SL	K10291117175256	40	25	65	M18X2	160	2
KBT40 WE32 100 FCC 2.5G 25000 SL	K10291118148256	40	32	72	M20X2	100	2
KBT40 WE32 160 FCC 2.5G 25000 SL	K10291118175256	40	32	72	M20X2	160	2
KBT40 WE40 105 FCC 2.5G 25000 SL	K10291119152256	40	40	80	M20X2	105	2
KBT40 WE40 160 FCC 2.5G 25000 SL	K10291119175256	40	40	80	M20X2	160	2

Note: • All Dimensions are in mm  
 • These Holders are most suitable for Weldon Type End Mill as per standard DIN 1835 - B

Maximum Run out of the Internal Dia with respect to the External Taper 0.005 mm

BBT (MAS 403)  
 Holders



**KBT (WE : FCC)**

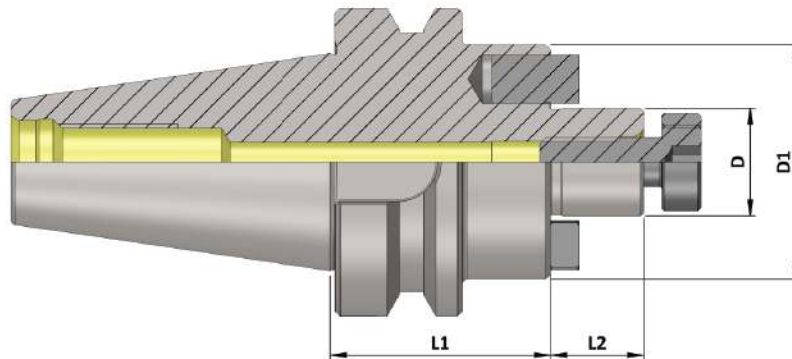
**(Balanced to 2.5 G 25000 RPM)**

Item Name	Item Code	ISO	d	D1	G	L	Screw Qty.
KBT50 WE06 063 FCC 2.5G 25000 SL	K10308111563256	50	6	25	M6	63	1
KBT50 WE06 100 FCC 2.5G 25000 SL	K10308111148256	50	6	25	M6	100	1
KBT50 WE06 160 FCC 2.5G 25000 SL	K10308111175256	50	6	25	M6	160	1
KBT50 WE08 063 FCC 2.5G 25000 SL	K10308112563256	50	8	28	M8	63	1
KBT50 WE08 100 FCC 2.5G 25000 SL	K10308112148256	50	8	28	M8	100	1
KBT50 WE08 160 FCC 2.5G 25000 SL	K10308112175256	50	8	28	M8	160	1
KBT50 WE10 080 FCC 2.5G 25000 SL	K10308113131256	50	10	35	M10	80	1
KBT50 WE10 100 FCC 2.5G 25000 SL	K10308113148256	50	10	35	M10	100	1
KBT50 WE10 160 FCC 2.5G 25000 SL	K10308113175256	50	10	35	M10	160	1
KBT50 WE12 080 FCC 2.5G 25000 SL	K10308114131256	50	12	42	M12	80	1
KBT50 WE12 100 FCC 2.5G 25000 SL	K10308114148256	50	12	42	M12	100	1
KBT50 WE12 160 FCC 2.5G 25000 SL	K10308114175256	50	12	42	M12	160	1
KBT50 WE14 080 FCC 2.5G 25000 SL	K10308258131256	50	14	44	M12	80	1
KBT50 WE14 100 FCC 2.5G 25000 SL	K10308258148256	50	14	44	M12	100	1
KBT50 WE14 160 FCC 2.5G 25000 SL	K10308258175256	50	14	44	M12	160	1
KBT50 WE16 080 FCC 2.5G 25000 SL	K10308115131256	50	16	48	M14	80	1
KBT50 WE16 100 FCC 2.5G 25000 SL	K10308115148256	50	16	48	M14	100	1
KBT50 WE16 160 FCC 2.5G 25000 SL	K10308115175256	50	16	48	M14	160	1
KBT50 WE18 080 FCC 2.5G 25000 SL	K10308259131256	50	18	50	M14	80	1
KBT50 WE18 100 FCC 2.5G 25000 SL	K10308259148256	50	18	50	M14	100	1
KBT50 WE18 160 FCC 2.5G 25000 SL	K10308259175256	50	18	50	M14	160	1
KBT50 WE20 080 FCC 2.5G 25000 SL	K10308116131256	50	20	52	M16	80	1
KBT50 WE20 100 FCC 2.5G 25000 SL	K10308116148256	50	20	52	M16	100	1
KBT50 WE20 160 FCC 2.5G 25000 SL	K10308116175256	50	20	52	M16	160	1
KBT50 WE25 100 FCC 2.5G 25000 SL	K10308117148256	50	25	65	M18X2	100	2
KBT50 WE25 160 FCC 2.5G 25000 SL	K10308117175256	50	25	65	M18X2	160	2
KBT50 WE32 105 FCC 2.5G 25000 SL	K10308118152256	50	32	72	M20X2	105	2
KBT50 WE32 160 FCC 2.5G 25000 SL	K10308118175256	50	32	72	M20X2	160	2
KBT50 WE40 115 FCC 2.5G 25000 SL	K10308119159256	50	40	80	M20X2	115	2
KBT50 WE40 160 FCC 2.5G 25000 SL	K10308119175256	50	40	80	M20X2	160	2
KBT50 WE50 125 FCC 2.5G 25000 SL	K10308120164256	50	50	100	M24X2	125	2

Note: • All Dimensions are in mm  
 • These Holders are most suitable for Weldon Type End Mill as per standard DIN 1835 - B



Maximum Run out of the External Dia with respect to the External Taper 0.005 mm



**KBT (FMH) (AD)**

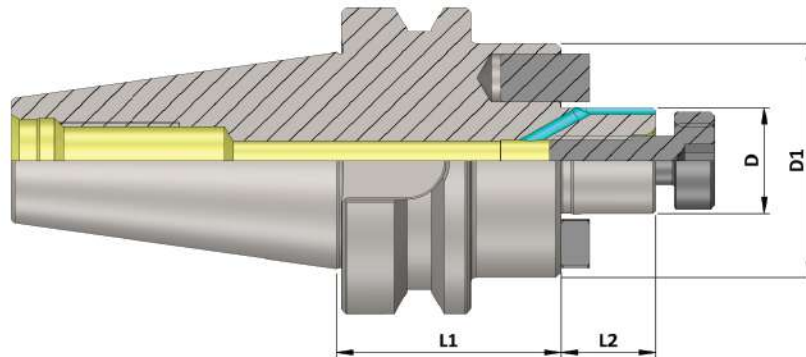
**(Balanced to 2.5 G 25000 RPM)**

Item Name	Item Code	ISO	D	D1	L1	L2
KBT30 FMH16 035 AD/2.5G 25000 SL S.P.S	K10307126104232	30	16	38	35	17
KBT30 FMH22 040 AD/2.5G 25000 SL S.P.S	K10307127106232	30	22	48	40	19
KBT30 FMH27 040 AD/2.5G 25000 SL S.P.S	K10307128106232	30	27	58	40	21
KBT40 FMH16 045 AD/2.5G 25000 SL S.P.S	K10291126108232	40	16	38	45	17
KBT40 FMH16 100 AD/2.5G 25000 SL S.P.S	K10291126148232	40	16	38	100	17
KBT40 FMH16 160 AD/2.5G 25000 SL S.P.S	K10291126175232	40	16	38	160	17
KBT40 FMH22 045 AD/2.5G 25000 SL S.P.S	K10291127108232	40	22	48	45	19
KBT40 FMH22 100 AD/2.5G 25000 SL S.P.S	K10291127148232	40	22	48	100	19
KBT40 FMH22 160 AD/2.5G 25000 SL S.P.S	K10291127175232	40	22	48	160	19
KBT40 FMH27 045 AD/2.5G 25000 SL S.P.S	K10291128108232	40	27	58	45	21
KBT40 FMH27 100 AD/2.5G 25000 SL S.P.S	K10291128148232	40	27	58	100	21
KBT40 FMH27 160 AD/2.5G 25000 SL S.P.S	K10291128175232	40	27	58	160	21
KBT40 FMH32 050 AD/2.5G 25000 SL S.P.S	K10291129111232	40	32	78	50	24
KBT40 FMH32 100 AD/2.5G 25000 SL S.P.S	K10291129148232	40	32	78	100	24
KBT40 FMH32 160 AD/2.5G 25000 SL S.P.S	K10291129175232	40	32	78	160	24
KBT40 FMH40 055 AD/2.5G 25000 SL S.P.S	K10291130115232	40	40	88	55	27
KBT40 FMH40 100 AD/2.5G 25000 SL S.P.S	K10291130148232	40	40	88	100	27
KBT40 FMH40 160 AD/2.5G 25000 SL S.P.S	K10291130175232	40	40	88	160	27
KBT50 FMH16 060 AD/2.5G 25000 SL S.P.S	K10308126117232	50	16	38	60	17
KBT50 FMH16 100 AD/2.5G 25000 SL S.P.S	K10308126148232	50	16	38	100	17
KBT50 FMH16 160 AD/2.5G 25000 SL S.P.S	K10308126175232	50	16	38	160	17
KBT50 FMH22 060 AD/2.5G 25000 SL S.P.S	K10308127117232	50	22	48	60	19
KBT50 FMH22 100 AD/2.5G 25000 SL S.P.S	K10308127148232	50	22	48	100	19
KBT50 FMH22 160 AD/2.5G 25000 SL S.P.S	K10308127175232	50	22	48	160	19
KBT50 FMH27 060 AD/2.5G 25000 SL S.P.S	K10308128117232	50	27	58	60	21
KBT50 FMH27 100 AD/2.5G 25000 SL S.P.S	K10308128148232	50	27	58	100	21
KBT50 FMH27 160 AD/2.5G 25000 SL S.P.S	K10308128175232	50	27	58	160	21
KBT50 FMH32 060 AD/2.5G 25000 SL S.P.S	K10308129117232	50	32	78	60	24
KBT50 FMH32 100 AD/2.5G 25000 SL S.P.S	K10308129148232	50	32	78	100	24
KBT50 FMH32 160 AD/2.5G 25000 SL S.P.S	K10308129175232	50	32	78	160	24
KBT50 FMH40 060 AD/2.5G 25000 SL S.P.S	K10308130117232	50	40	88	60	27
KBT50 FMH40 100 AD/2.5G 25000 SL S.P.S	K10308130148232	50	40	88	100	27
KBT50 FMH40 160 AD/2.5G 25000 SL S.P.S	K10308130175232	50	40	88	160	27

Note: All Dimensions are in mm

Maximum Run out of the External Dia with respect to the External Taper 0.005 mm

BBT (MAS 403)  
Holders



**KBT (FMH - K) (AD)**

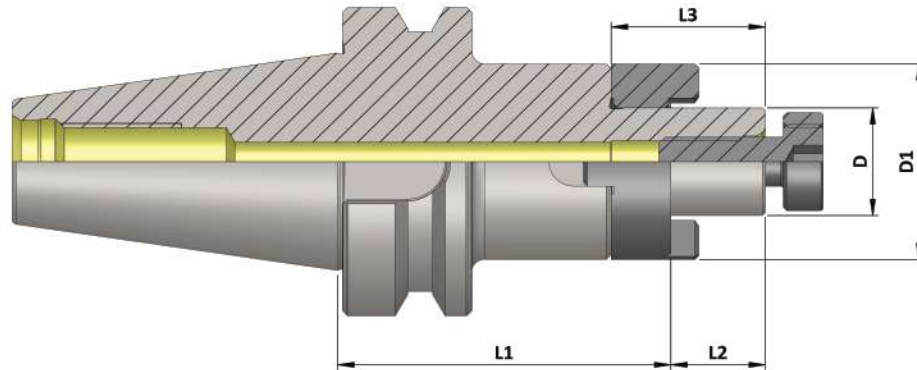
**(Balanced to 2.5 G 25000 RPM)**

Item Name	Item Code	ISO	D	D1	L1	L2
KBT40 FMH-K16 045 AD/2.5G 25000 SL SP.S	K10291131108232	40	16	38	45	17
KBT40 FMH-K16 100 AD/2.5G 25000 SL SP.S	K10291131148232	40	16	38	100	17
KBT40 FMH-K16 160 AD/2.5G 25000 SL SP.S	K10291131175232	40	16	38	160	17
KBT40 FMH-K22 045 AD/2.5G 25000 SL SP.S	K10291132108232	40	22	48	45	19
KBT40 FMH-K22 100 AD/2.5G 25000 SL SP.S	K10291132148232	40	22	48	100	19
KBT40 FMH-K22 160 AD/2.5G 25000 SL SP.S	K10291132175232	40	22	48	160	19
KBT40 FMH-K27 045 AD/2.5G 25000 SL SP.S	K10291133108232	40	27	58	45	21
KBT40 FMH-K27 100 AD/2.5G 25000 SL SP.S	K10291133148232	40	27	58	100	21
KBT40 FMH-K27 160 AD/2.5G 25000 SL SP.S	K10291133175232	40	27	58	160	21
KBT40 FMH-K32 050 AD/2.5G 25000 SL SP.S	K10291134111232	40	32	78	50	24
KBT40 FMH-K32 100 AD/2.5G 25000 SL SP.S	K10291134148232	40	32	78	100	24
KBT40 FMH-K32 160 AD/2.5G 25000 SL SP.S	K10291134175232	40	32	78	160	24
KBT40 FMH-K40 055 AD/2.5G 25000 SL SP.S	K10291576115232	40	40	88	55	27
KBT40 FMH-K40 100 AD/2.5G 25000 SL SP.S	K10291576148232	40	40	88	100	27
KBT40 FMH-K40 160 AD/2.5G 25000 SL SP.S	K10291576175232	40	40	88	160	27

KBT50 FMH-K16 060 AD/2.5G 25000 SL SP.S	K10308131117232	50	16	38	60	17
KBT50 FMH-K16 100 AD/2.5G 25000 SL SP.S	K10308131148232	50	16	38	100	17
KBT50 FMH-K16 160 AD/2.5G 25000 SL SP.S	K10308131175232	50	16	38	160	17
KBT50 FMH-K22 060 AD/2.5G 25000 SL SP.S	K10308132117232	50	22	48	60	19
KBT50 FMH-K22 100 AD/2.5G 25000 SL SP.S	K10308132148232	50	22	48	100	19
KBT50 FMH-K22 160 AD/2.5G 25000 SL SP.S	K10308132175232	50	22	48	160	19
KBT50 FMH-K27 060 AD/2.5G 25000 SL SP.S	K10308133117232	50	27	58	60	21
KBT50 FMH-K27 100 AD/2.5G 25000 SL SP.S	K10308133148232	50	27	58	100	21
KBT50 FMH-K27 160 AD/2.5G 25000 SL SP.S	K10308133175232	50	27	58	160	21
KBT50 FMH-K32 060 AD/2.5G 25000 SL SP.S	K10308134117232	50	32	78	60	24
KBT50 FMH-K32 100 AD/2.5G 25000 SL SP.S	K10308134148232	50	32	78	100	24
KBT50 FMH-K32 160 AD/2.5G 25000 SL SP.S	K10308134175232	50	32	78	160	24
KBT50 FMH-K40 060 AD/2.5G 25000 SL SP.S	K10308576117232	50	40	88	60	27
KBT50 FMH-K40 100 AD/2.5G 25000 SL SP.S	K10308576148232	50	40	88	100	27
KBT50 FMH-K40 160 AD/2.5G 25000 SL SP.S	K10308576175232	50	40	88	160	27

Note: All Dimensions are in mm

Maximum Run out of the External Dia with respect to the External Taper 0.005 mm



**KBT (CSMA)**

**(Balanced to 2.5 G 25000 RPM)**

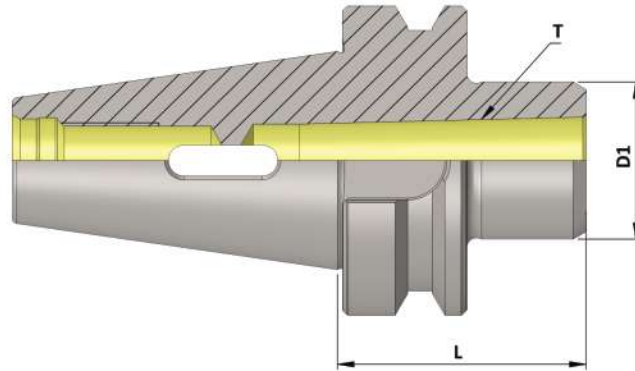
Item Name	Item Code	ISO	D	D1	L1	L2	L3
KBT30 CSMA16 050 AD/2.5G 25000 SL SP.S	K10307121111232	30	16	32	50	17	27
KBT30 CSMA22 050 AD/2.5G 25000 SL SP.S	K10307122111232	30	22	40	50	19	31
KBT30 CSMA27 055 AD/2.5G 25000 SL SP.S	K10307123115232	30	27	48	55	21	33

KBT40 CSMA16 055 AD/2.5G 25000 SL SP.S	K10291121115232	40	16	32	55	17	27
KBT40 CSMA16 100 AD/2.5G 25000 SL SP.S	K10291121148232	40	16	32	100	17	27
KBT40 CSMA16 160 AD/2.5G 25000 SL SP.S	K10291121175232	40	16	32	160	17	27
KBT40 CSMA22 055 AD/2.5G 25000 SL SP.S	K10291122111232	40	22	40	55	19	31
KBT40 CSMA22 100 AD/2.5G 25000 SL SP.S	K10291122148232	40	22	40	100	19	31
KBT40 CSMA22 160 AD/2.5G 25000 SL SP.S	K10291122175232	40	22	40	160	19	31
KBT40 CSMA27 055 AD/2.5G 25000 SL SP.S	K10291123115232	40	27	48	55	21	33
KBT40 CSMA27 100 AD/2.5G 25000 SL SP.S	K10291123148232	40	27	48	100	21	33
KBT40 CSMA27 160 AD/2.5G 25000 SL SP.S	K10291123175232	40	27	48	160	21	33
KBT40 CSMA32 060 AD/2.5G 25000 SL SP.S	K10291124117232	40	32	58	60	24	38
KBT40 CSMA32 100 AD/2.5G 25000 SL SP.S	K10291124148232	40	32	58	100	24	38
KBT40 CSMA32 160 AD/2.5G 25000 SL SP.S	K10291124175232	40	32	58	160	24	38
KBT40 CSMA40 060 AD/2.5G 25000 SL SP.S	K10291125117232	40	40	70	60	27	41
KBT40 CSMA40 100 AD/2.5G 25000 SL SP.S	K10291125148232	40	40	70	100	27	41
KBT40 CSMA40 160 AD/2.5G 25000 SL SP.S	K10291125175232	40	40	70	160	27	41

KBT50 CSMA16 070 AD/2.5G 25000 SL SP.S	K10308121125232	50	16	32	70	17	27
KBT50 CSMA16 100 AD/2.5G 25000 SL SP.S	K10308121148232	50	16	32	100	17	27
KBT50 CSMA16 160 AD/2.5G 25000 SL SP.S	K10308121175232	50	16	32	160	17	27
KBT50 CSMA22 070 AD/2.5G 25000 SL SP.S	K10308122125232	50	22	40	70	19	31
KBT50 CSMA22 100 AD/2.5G 25000 SL SP.S	K10308122148232	50	22	40	100	19	31
KBT50 CSMA22 160 AD/2.5G 25000 SL SP.S	K10308122175232	50	22	40	160	19	31
KBT50 CSMA27 070 AD/2.5G 25000 SL SP.S	K10308123125232	50	27	48	70	21	33
KBT50 CSMA27 100 AD/2.5G 25000 SL SP.S	K10308123148232	50	27	48	100	21	33
KBT50 CSMA27 160 AD/2.5G 25000 SL SP.S	K10308123175232	50	27	48	160	21	33
KBT50 CSMA32 070 AD/2.5G 25000 SL SP.S	K10308124125232	50	32	58	70	24	38
KBT50 CSMA32 100 AD/2.5G 25000 SL SP.S	K10308124148232	50	32	58	100	24	38
KBT50 CSMA32 160 AD/2.5G 25000 SL SP.S	K10308124175232	50	32	58	160	24	38
KBT50 CSMA40 070 AD/2.5G 25000 SL SP.S	K10308125125232	50	40	70	70	27	41
KBT50 CSMA40 100 AD/2.5G 25000 SL SP.S	K10308125148232	50	40	70	100	27	41
KBT50 CSMA40 160 AD/2.5G 25000 SL SP.S	K10308125175232	50	40	70	160	27	41

Note: All Dimensions are in mm

Maximum Run out of the Internal Taper with respect to the External Taper 0.005 mm



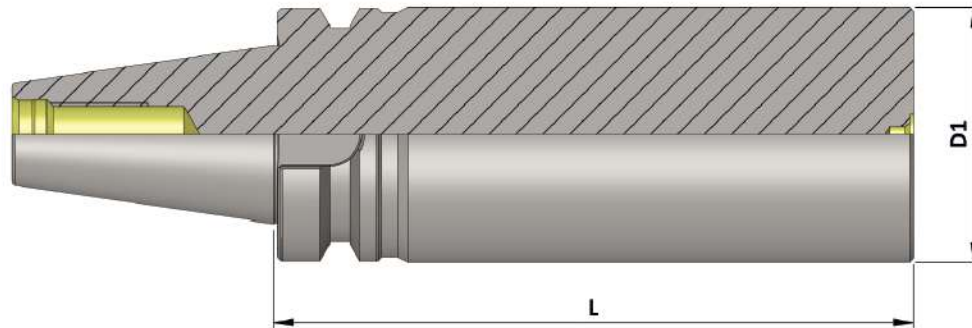
BBT (MAS 403)  
 Holders

**KBT (MTA)**

**(Balanced to 2.5 G 25000 RPM)**

Item Name	Item Code	ISO	Morse Taper (T)	D1	L
KBT30 MT01 050 2.5G 25000 SL	K10307447111110	30	1	25	50
KBT30 MT02 060 2.5G 25000 SL	K10307448117110	30	2	32	60
KBT30 MT03 075 2.5G 25000 SL	K10307449127110	30	3	40	75
KBT40 MT01 050 2.5G 25000 SL	K10291447111110	40	1	25	50
KBT40 MT01 115 2.5G 25000 SL	K10291447159110	40	1	25	115
KBT40 MT02 050 2.5G 25000 SL	K10291448111110	40	2	32	50
KBT40 MT02 125 2.5G 25000 SL	K10291448164110	40	2	32	125
KBT40 MT03 070 2.5G 25000 SL	K10291449125110	40	3	40	70
KBT40 MT03 140 2.5G 25000 SL	K10291449169110	40	3	40	140
KBT40 MT04 095 2.5G 25000 SL	K10291451145110	40	4	48	95
KBT50 MT01 050 2.5G 25000 SL	K10308447111110	50	1	25	50
KBT50 MT01 120 2.5G 25000 SL	K10308447162110	50	1	25	120
KBT50 MT02 060 2.5G 25000 SL	K10308448117110	50	2	32	60
KBT50 MT02 140 2.5G 25000 SL	K10308448169110	50	2	32	140
KBT50 MT03 065 2.5G 25000 SL	K10308449123110	50	3	40	65
KBT50 MT03 150 2.5G 25000 SL	K10308449173110	50	3	40	150
KBT50 MT04 095 2.5G 25000 SL	K10308451145110	50	4	48	95
KBT50 MT04 180 2.5G 25000 SL	K10308451178110	50	4	48	180
KBT50 MT05 120 2.5G 25000 SL	K10308450162110	50	5	63	120
KBT50 MT05 220 2.5G 25000 SL	K10308450180110	50	5	63	220

Note: All Dimensions are in mm



BRT (MAS 403)  
Holders

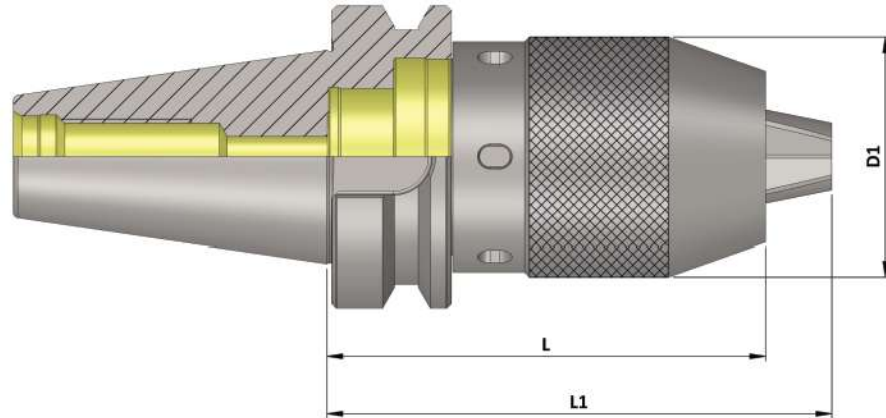
**KBT (Boring Bar Blank)**

Item Name	Item Code	ISO	D1	L
KBT40 BORING BAR BLANK DIA 63.5 L 120	K10291173498127	40	63.5	120
KBT40 BORING BAR BLANK DIA 63.5 L 160	K10291173330127	40	63.5	160
KBT40 BORING BAR BLANK DIA 63.5 L 250	K1029117325612	40	63.5	250
KBT50 BORING BAR BLANK DIA 80.0 L 160	K10308264330127	50	80	160
KBT50 BORING BAR BLANK DIA 80.0 L 200	K10308264237127	50	80	200
KBT50 BORING BAR BLANK DIA 80.0 L 300	K10308264257127	50	80	300
KBT50 BORING BAR BLANK DIA 97.0 L 315	K10308265329127	50	97	315

Note: All Dimensions are in mm

Maximum Run out on the Mandrell with respect to the External Taper 0.050 mm

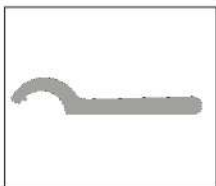
BBT (MAS 403)  
Holders



**KBT (NCDC)**

Item Name	Item Code	ISO	D1	L	L1
KBT30 NCDC1-13 112.5	K10307167345127	30	50	112.5	125
KBT40 NCDC1-13 092.5	K10291167142127	40	50	92.5	105
KBT50 NCDC1-13 107.5	K10308167154127	50	50	107.5	120

**Accessories:**



NCDC Spanner  
Ref. Page No. 223

Note: All Dimensions are in mm

## ◆ Features:

- Small outside diameter.
- Best suitable for Die & Mould Industry.
- Most suitable for machining of cavities difficult to reach.
- High precision Runout < 0.005mm (4xd).
- All 'KTA' Die & Mould Chucks are subjected to Sub-zero treatment (-90° C). This treatment helps to prevent the holders from deformation for many years & hence increases the life.

## ◆ Capacity:

- DMC 06 (3mm to 6mm)
- DMC 08 (3mm to 8mm)
- DMC 10 (3mm to 10mm)

## ◆ Available In Mountings :

- BT (MAS 403) (DIN ISO 7388 - 2)
- KBT (MAS 403)
- SK (DIN 69871) (DIN ISO 7388 - 1)
- HSK- A (DIN 69893-1)
- Cylindrical Shank

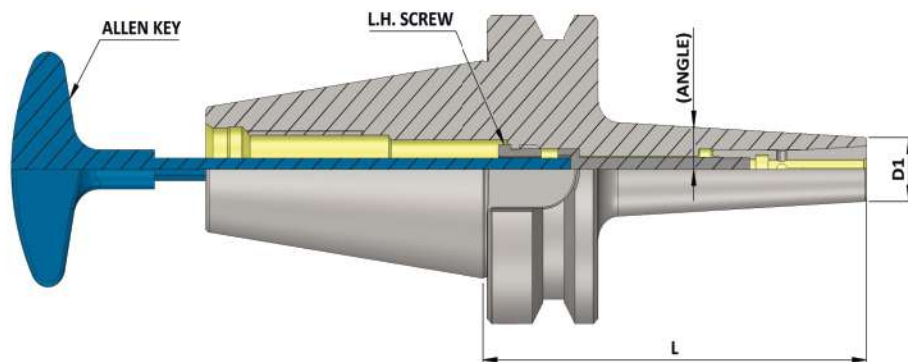
## ◆ Balancing :

- Balanced To 2.5 G 25000 RPM



Maximum Run out of the Internal Taper with respect to the External Taper < 0.005 mm

BBT (MAS 403)  
Holders



**KBT (DMC)**

**(Balanced to 2.5 G 25000 RPM)**

Item Name	Item Code	ISO	Gripping Range	D1	L	Angle	Suitable Collet	Screw	Allen Key
KBT30 DMC 06 090 AD/2.5G 25000 SL	K10307161140228	30	3 - 6	13	90	3	DMC-6	M5	4X200
KBT40 DMC 06 060 AD/2.5G 25000 SL	K10291161117228	40	3 - 6	13	60	3	DMC-6	M5	4X200
KBT40 DMC 06 090 AD/2.5G 25000 SL	K10291161140228	40	3 - 6	13	90	3	DMC-6	M5	4X200
KBT40 DMC 06 120 AD/2.5G 25000 SL	K10291161162228	40	3 - 6	13	120	3	DMC-6	M5	4X200
KBT40 DMC 06 160 AD/2.5G 25000 SL	K10291161175228	40	3 - 6	13	160	3	DMC-6	M5	4X200
KBT40 DMC 08 090 AD/2.5G 25000 SL	K10291162140228	40	3 - 8	22	90	3	DMC-8	M6	5X200
KBT40 DMC 08 120 AD/2.5G 25000 SL	K10291162162228	40	3 - 8	22	120	3	DMC-8	M6	5X200
KBT40 DMC 10 090 AD/2.5G 25000 SL	K10291163140228	40	3 - 10	28	90	-	DMC-10	M8	6X200
KBT40 DMC 10 120 AD/2.5G 25000 SL	K10291163162228	40	3 - 10	28	120	-	DMC-10	M8	6X200
KBT50 DMC 10 150 AD/2.5G 25000 SL	K10308163173228	50	3 - 10	28	150	-	DMC-10	M8	6X200

**Accessories:**



DMC Collet  
Ref. Page No. 241

Note: All Dimensions are in mm





## Power Milling Chuck (PMC)

### ◆ Features :

- 'KTA' Power Milling Chuck is Very Rigid & Precision.
- It is best for Drilling, Reaming & Milling Operations.
- The tool runs true less than 5 micron on 2D. Hence the tool life increases drastically.
- It's Unibody construction reduces the vibrations, This also helps to increase the tool life.
- All 'KTA' Power Milling Chucks are subjected to sub-zero treatment (-90° C). This treatment helps to prevent the holders from deformation for many years & hence increases the life.

### ◆ Available In Mountings :

- BT (MAS 403) (DIN ISO 7388-2)
- KBT (MAS 403)
- SK (DIN 69871) (DIN ISO 7388-1)
- HSK-A (DIN 69893-1)

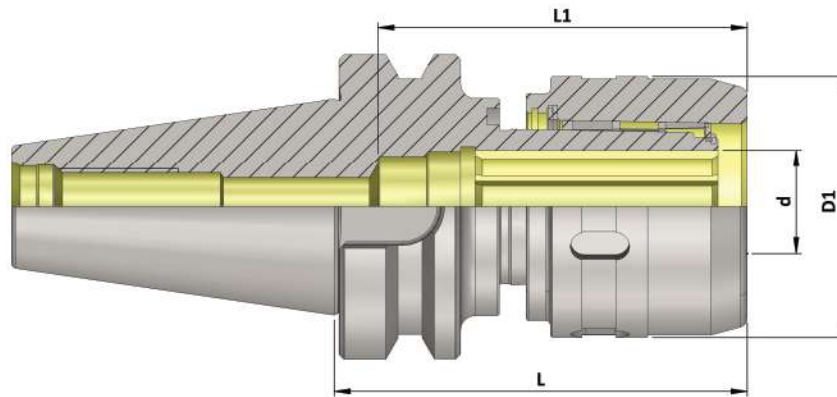
### ◆ Balancing :

- Balanced To 6.3 G 15000 RPM



Maximum Run out of the Internal Dia with respect to the External Taper 0.005 mm

BBT (MAS 403)  
Holders



**KBT (PMC)**

**(Balanced to 6.3 G 15000 RPM)**

Item Name	Item Code	ISO	d	D1	L	L1
KBT30 C20 075 AD/6.3G 15000 SL	K10307445127110	30	20	54	75	70
KBT40 C20 080 AD/6.3G 15000 SL	K10291445131110	40	20	54	80	70
KBT40 C32 090 AD/6.3G 15000 SL	K10291446140110	40	32	72	90	100
KBT50 C20 105 AD/6.3G 15000 SL	K10308445152110	50	20	54	105	70
KBT50 C32 105 AD/6.3G 15000 SL	K10308446152110	50	32	72	105	100

**Accessories:**



Reduction Sleeve (RS)  
Ref. Page No. 242



PMC Spanner  
Ref. Page No. 223

Note: All Dimensions are in mm

◆ **Features:**

- For Mounting of Screw type Modular Milling Cutters.
- Slim Design & hence easy to reach at deep cavities.
- Unibody Construction
- All 'KTA' Milling Cutter Arbors are subjected to Sub-zero treatment (-90° C). This treatment helps to prevent the holders from deformation for many years & hence increases the life.

◆ **Available In Mountings :**

- BT (MAS 403) (DIN ISO 7388 - 2)
- KBT (MAS 403)
- SK (DIN 69871) (DIN ISO 7388 - 1)
- HSK-A (DIN 69893-1)
- HSK-F (DIN 69893-6)

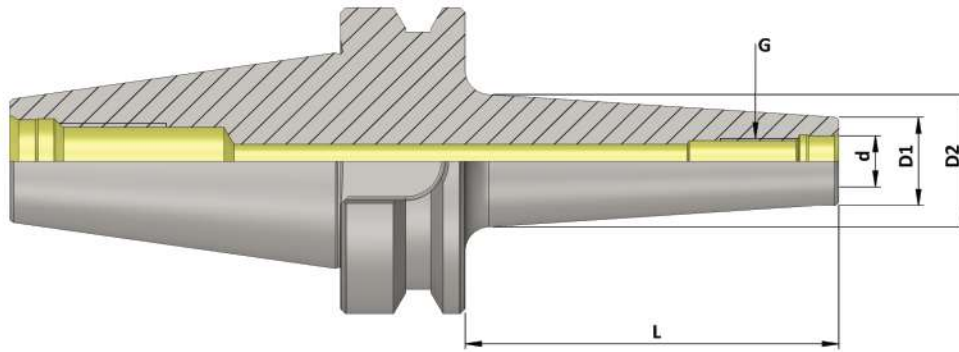
◆ **Balancing :**

- Balanced To 2.5 G 25000 RPM



Maximum Run out of the Internal Dia with respect to the External Taper 0.005 mm

BBT (MAS 403)  
Holders



**SCREW-TYPE  
MODULAR MILLING CUTTER**

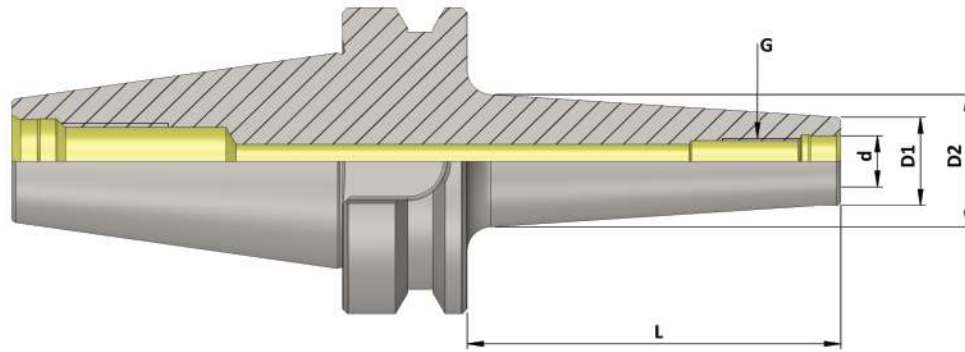
**KBT (MCA)**

**(Balanced to 2.5 G 25000 RPM)**

Item Name	Item Code	ISO	d	D1	D2	G	L
KBT40 MCA06 025 AD/2.5G 25000 SL	K10291137101228	40	6.5	10	13	M6	25
KBT40 MCA06 050 AD/2.5G 25000 SL	K10291137111228	40	6.5	10	20	M6	50
KBT40 MCA06 075 AD/2.5G 25000 SL	K10291137127228	40	6.5	10	23	M6	75
KBT40 MCA08 025 AD/2.5G 25000 SL	K10291138101228	40	8.5	13	15	M8	25
KBT40 MCA08 050 AD/2.5G 25000 SL	K10291138111228	40	8.5	13	23	M8	50
KBT40 MCA08 075 AD/2.5G 25000 SL	K10291138127228	40	8.5	13	23	M8	75
KBT40 MCA08 100 AD/2.5G 25000 SL	K10291138148228	40	8.5	13	25	M8	100
KBT40 MCA10 025 AD/2.5G 25000 SL	K10291139101228	40	10.5	18	20	M10	25
KBT40 MCA10 050 AD/2.5G 25000 SL	K10291139111228	40	10.5	18	23	M10	50
KBT40 MCA10 075 AD/2.5G 25000 SL	K10291139127228	40	10.5	18	28	M10	75
KBT40 MCA10 100 AD/2.5G 25000 SL	K10291139148228	40	10.5	18	32	M10	100
KBT40 MCA12 025 AD/2.5G 25000 SL	K10291140101228	40	12.5	21	24	M12	25
KBT40 MCA12 050 AD/2.5G 25000 SL	K10291140111228	40	12.5	21	24	M12	50
KBT40 MCA12 075 AD/2.5G 25000 SL	K10291140127118	40	12.5	21	31	M12	75
KBT40 MCA12 100 AD/2.5G 25000 SL	K10291140148228	40	12.5	21	33	M12	100
KBT40 MCA12 125 AD/2.5G 25000 SL	K10291140164228	40	12.5	21	36	M12	125
KBT40 MCA16 025 AD/2.5G 25000 SL	K10291141101228	40	17.0	29	29	M16	25
KBT40 MCA16 050 AD/2.5G 25000 SL	K10291141111228	40	17.0	29	34	M16	50
KBT40 MCA16 075 AD/2.5G 25000 SL	K10291141127228	40	17.0	29	34	M16	75
KBT40 MCA16 100 AD/2.5G 25000 SL	K10291141148228	40	17.0	29	36	M16	100
KBT40 MCA16 125 AD/2.5G 25000 SL	K10291141164228	40	17.0	29	40	M16	125
KBT40 MCA16 150 AD/2.5G 25000 SL	K10291141173228	40	17.0	29	42.5	M16	150

Note: All Dimensions are in mm

Maximum Run out of the Internal Dia with respect to the External Taper 0.005 mm



**SCREW-TYPE  
MODULAR MILLING CUTTER**

BKT (MAS 403)  
Holders

**KBT (MCA)**

**(Balanced to 2.5 G 25000 RPM)**

Item Name	Item Code	ISO	d	D1	D2	G	L
KBT50 MCA08 050 AD/2.5G 25000 SL	K10308138111129	50	8.5	13	23	M8	50
KBT50 MCA08 100 AD/2.5G 25000 SL	K10308138148129	50	8.5	13	25	M8	100
KBT50 MCA08 150 AD/2.5G 25000 SL	K10308138173129	50	8.5	13	30	M8	150
KBT50 MCA10 050 AD/2.5G 25000 SL	K10308139111129	50	10.5	18	23	M10	50
KBT50 MCA10 100 AD/2.5G 25000 SL	K10308139148129	50	10.5	18	32	M10	100
KBT50 MCA10 150 AD/2.5G 25000 SL	K10308139173129	50	10.5	18	36.5	M10	150
KBT50 MCA12 050 AD/2.5G 25000 SL	K10308140111129	50	12.5	21	24	M12	50
KBT50 MCA12 100 AD/2.5G 25000 SL	K10308140148129	50	12.5	21	33	M12	100
KBT50 MCA12 150 AD/2.5G 25000 SL	K10308140173129	50	12.5	21	40	M12	150
KBT50 MCA16 050 AD/2.5G 25000 SL	K10308141111129	50	17.0	29	34	M16	50
KBT50 MCA16 100 AD/2.5G 25000 SL	K10308141148129	50	17.0	29	36	M16	100
KBT50 MCA16 150 AD/2.5G 25000 SL	K10308141173129	50	17.0	29	42.5	M16	150

Note: All Dimensions are in mm



## Shrink Fit Holder 4.5 Degree (SFH 4.5°)

### ◆ Features:

- For Mounting Of Carbide Drills, End Mills etc.
- Easy to Reach at Deep Cavities.
- Best T. I. R. & Rigidity during long working life, Result of in house Reasearch & Development & special Heat Treatment.

### ◆ Available In Mountings :

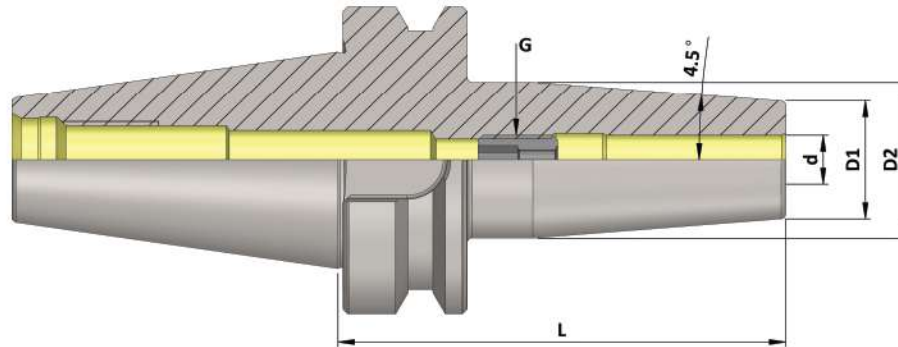
- BT (MAS 403) (DIN ISO 7388 - 2)
- KBT (MAS 403)
- SK (DIN 69871) (DIN ISO 7388 - 1)
- HSK-A (DIN 69893-1)
- HSK-F (DIN 69893-6)

### ◆ Balancing :

- Balanced To 2.5 G 25000 RPM



Maximum Run out of the Internal Dia with respect to the External Taper 0.003 mm



**KBT (SFH 4.5°) (AD)**

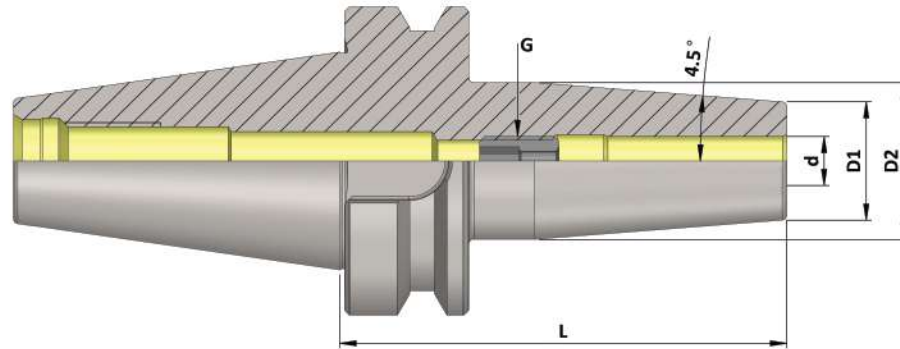
**(Balanced to 2.5 G 25000 RPM)**

Item Name	Item Code	ISO	d	D1	D2	G	L
KBT30 SFH03 080 AD/2.5G 25000 SL	K10307274131228	30	3	10	20	-	80
KBT30 SFH04 080 AD/2.5G 25000 SL	K10307275131228	30	4	15	22	-	80
KBT30 SFH05 080 AD/2.5G 25000 SL	K10307276131228	30	5	15	22	-	80
KBT30 SFH06 080 AD/2.5G 25000 SL	K10307277131228	30	6	21	27	M5	80
KBT30 SFH08 080 AD/2.5G 25000 SL	K10307285131228	30	8	21	27	M6	80
KBT30 SFH10 080 AD/2.5G 25000 SL	K10307279131228	30	10	24	31	M8	80
KBT30 SFH12 080 AD/2.5G 25000 SL	K10307280131228	30	12	24	31	M10	80
KBT30 SFH14 080 AD/2.5G 25000 SL	K10307284131228	30	14	27	34	M10	80
KBT30 SFH16 080 AD/2.5G 25000 SL	K10307281131228	30	16	27	34	M12	80
KBT30 SFH18 080 AD/2.5G 25000 SL	K10307282131228	30	18	33	40	M12	80
KBT30 SFH20 080 AD/2.5G 25000 SL	K10307283131228	30	20	33	40	M16	80

Note: All Dimensions are in mm

Maximum Run out of the Internal Dia with respect to the External Taper 0.003 mm

BBT (MAS 403)  
Holders



**KBT (SFH 4.5°) (AD)**

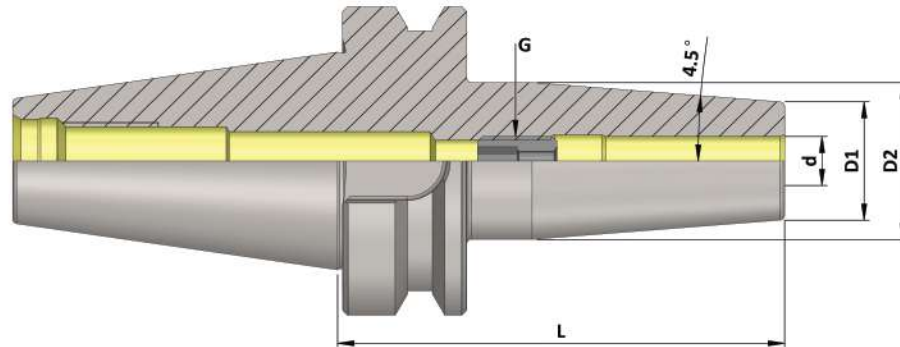
**(Balanced to 2.5 G 25000 RPM)**

Item Name	Item Code	ISO	d	D1	D2	G	L
KBT40 SFH03 090 AD/2.5G 25000 SL	K10291274140228	40	3	10	20	-	90
KBT40 SFH03 120 AD/2.5G 25000 SL	K10291274162228	40	3	10	20	-	120
KBT40 SFH03 160 AD/2.5G 25000 SL	K10291274175228	40	3	10	20	-	160
KBT40 SFH04 090 AD/2.5G 25000 SL	K10291275140228	40	4	15	22	-	90
KBT40 SFH04 120 AD/2.5G 25000 SL	K10291275162228	40	4	15	22	-	120
KBT40 SFH04 160 AD/2.5G 25000 SL	K10291275175228	40	4	15	22	-	160
KBT40 SFH05 090 AD/2.5G 25000 SL	K10291276140228	40	5	15	22	-	90
KBT40 SFH05 120 AD/2.5G 25000 SL	K10291276162228	40	5	15	22	-	120
KBT40 SFH05 160 AD/2.5G 25000 SL	K10291276175228	40	5	15	22	-	160
KBT40 SFH06 090 AD/2.5G 25000 SL	K10291277140228	40	6	21	27	M5	90
KBT40 SFH06 120 AD/2.5G 25000 SL	K10291277162228	40	6	21	27	M5	120
KBT40 SFH06 160 AD/2.5G 25000 SL	K10291277175228	40	6	21	27	M5	160
KBT40 SFH08 090 AD/2.5G 25000 SL	K10291285140228	40	8	21	27	M6	90
KBT40 SFH08 120 AD/2.5G 25000 SL	K10291285162228	40	8	21	27	M6	120
KBT40 SFH08 160 AD/2.5G 25000 SL	K10291285175228	40	8	21	27	M6	160
KBT40 SFH10 090 AD/2.5G 25000 SL	K10291279140228	40	10	24	31	M8	90
KBT40 SFH10 120 AD/2.5G 25000 SL	K10291279162228	40	10	24	31	M8	120
KBT40 SFH10 160 AD/2.5G 25000 SL	K10291279175228	40	10	24	31	M8	160
KBT40 SFH12 090 AD/2.5G 25000 SL	K10291280140228	40	12	24	31	M10	90
KBT40 SFH12 120 AD/2.5G 25000 SL	K10291280162228	40	12	24	31	M10	120
KBT40 SFH12 160 AD/2.5G 25000 SL	K10291280175228	40	12	24	31	M10	160

Note: All Dimensions are in mm



Maximum Run out of the Internal Dia with respect to the External Taper 0.003 mm



BRT (MAS 403)  
Holders

**KBT (SFH 4.5°) (AD)**

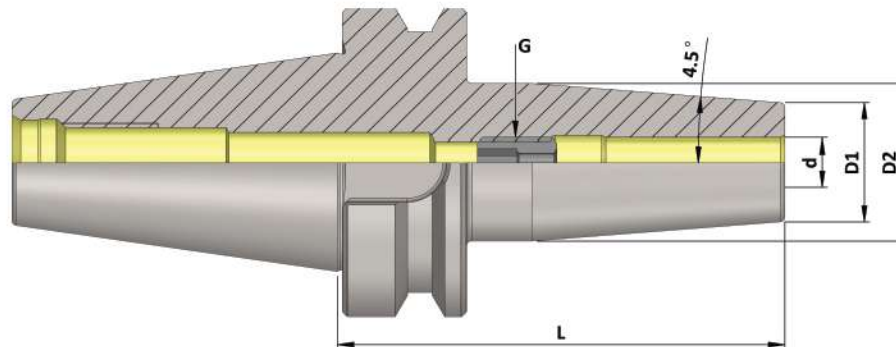
**(Balanced to 2.5 G 25000 RPM)**

Item Name	Item Code	ISO	d	D1	D2	G	L
KBT40 SFH14 090 AD/2.5G 25000 SL	K10291284140228	40	14	27	34	M10	90
KBT40 SFH14 120 AD/2.5G 25000 SL	K10291284162228	40	14	27	34	M10	120
KBT40 SFH14 160 AD/2.5G 25000 SL	K10291284175228	40	14	27	34	M10	160
KBT40 SFH16 090 AD/2.5G 25000 SL	K10291281140228	40	16	27	34	M12	90
KBT40 SFH16 120 AD/2.5G 25000 SL	K10291281162228	40	16	27	34	M12	120
KBT40 SFH16 160 AD/2.5G 25000 SL	K10291281175228	40	16	27	34	M12	160
KBT40 SFH18 090 AD/2.5G 25000 SL	K10291282140228	40	18	33	40	M12	90
KBT40 SFH18 120 AD/2.5G 25000 SL	K10291282162228	40	18	33	40	M12	120
KBT40 SFH18 160 AD/2.5G 25000 SL	K10291282175228	40	18	33	40	M12	160
KBT40 SFH20 090 AD/2.5G 25000 SL	K10291283148228	40	20	33	40	M16	90
KBT40 SFH20 120 AD/2.5G 25000 SL	K10291283162228	40	20	33	40	M16	120
KBT40 SFH20 160 AD/2.5G 25000 SL	K10291283175228	40	20	33	40	M16	160
KBT40 SFH25 100 AD/2.5G 25000 SL	K10291287156228	40	25	44	53	M16	100
KBT40 SFH25 120 AD/2.5G 25000 SL	K10291287162228	40	25	44	53	M16	120
KBT40 SFH25 160 AD/2.5G 25000 SL	K10291287175228	40	25	44	53	M16	160
KBT40 SFH32 100 AD/2.5G 25000 SL	K10291288156228	40	32	44	53	M16	100
KBT40 SFH32 120 AD/2.5G 25000 SL	K10291288162228	40	32	44	53	M16	120
KBT40 SFH32 160 AD/2.5G 25000 SL	K10291288175228	40	32	44	53	M16	160

Note: All Dimensions are in mm

Maximum Run out of the Internal Dia with respect to the External Taper 0.003 mm

BBT (MAS 403)  
Holders



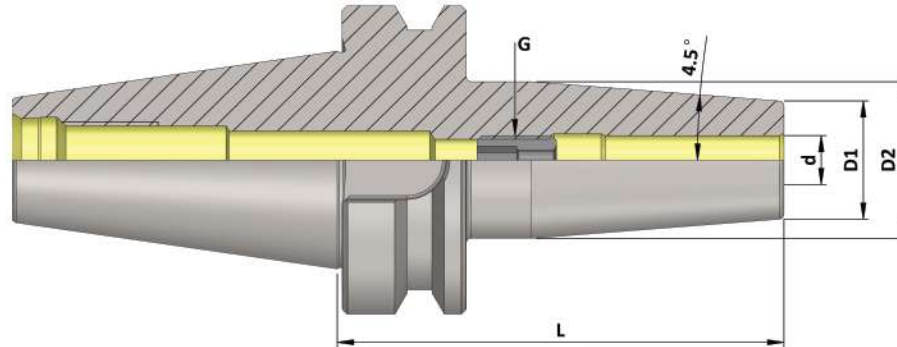
**KBT (SFH 4.5°) (AD)**

**(Balanced to 2.5 G 25000 RPM)**

Item Name	Item Code	ISO	d	D1	D2	G	L
KBT50 SFH03 100 AD/2.5G 25000 SL	K10308274148228	50	3	10	20	-	100
KBT50 SFH03 120 AD/2.5G 25000 SL	K10308274162228	50	3	10	20	-	120
KBT50 SFH03 160 AD/2.5G 25000 SL	K10308274175228	50	3	10	20	-	160
KBT50 SFH04 100 AD/2.5G 25000 SL	K10308275148228	50	4	15	22	-	100
KBT50 SFH04 120 AD/2.5G 25000 SL	K10308275162228	50	4	15	22	-	120
KBT50 SFH04 160 AD/2.5G 25000 SL	K10308275175228	50	4	15	22	-	160
KBT50 SFH05 100 AD/2.5G 25000 SL	K10308276148228	50	5	15	22	-	100
KBT50 SFH05 120 AD/2.5G 25000 SL	K10308276162228	50	5	15	22	-	120
KBT50 SFH05 160 AD/2.5G 25000 SL	K10308276175228	50	5	15	22	-	160
KBT50 SFH06 100 AD/2.5G 25000 SL	K10308277148228	50	6	21	27	M5	100
KBT50 SFH06 120 AD/2.5G 25000 SL	K10308277162228	50	6	21	27	M5	120
KBT50 SFH06 160 AD/2.5G 25000 SL	K10308277175228	50	6	21	27	M5	160
KBT50 SFH08 100 AD/2.5G 25000 SL	K10308285148228	50	8	21	27	M6	100
KBT50 SFH08 120 AD/2.5G 25000 SL	K10308285162228	50	8	21	27	M6	120
KBT50 SFH08 160 AD/2.5G 25000 SL	K10308285175228	50	8	21	27	M6	160
KBT50 SFH10 100 AD/2.5G 25000 SL	K10308279148228	50	10	24	31	M8	100
KBT50 SFH10 120 AD/2.5G 25000 SL	K10308279162228	50	10	24	31	M8	120
KBT50 SFH10 160 AD/2.5G 25000 SL	K10308279175228	50	10	24	31	M8	160
KBT50 SFH12 100 AD/2.5G 25000 SL	K10308280148228	50	12	24	31	M10	100
KBT50 SFH12 120 AD/2.5G 25000 SL	K10308280162228	50	12	24	31	M10	120
KBT50 SFH12 160 AD/2.5G 25000 SL	K10308280175228	50	12	24	31	M10	160

Note: All Dimensions are in mm

Maximum Run out of the Internal Dia with respect to the External Taper 0.003 mm



**KBT (SFH 4.5°) (AD)**

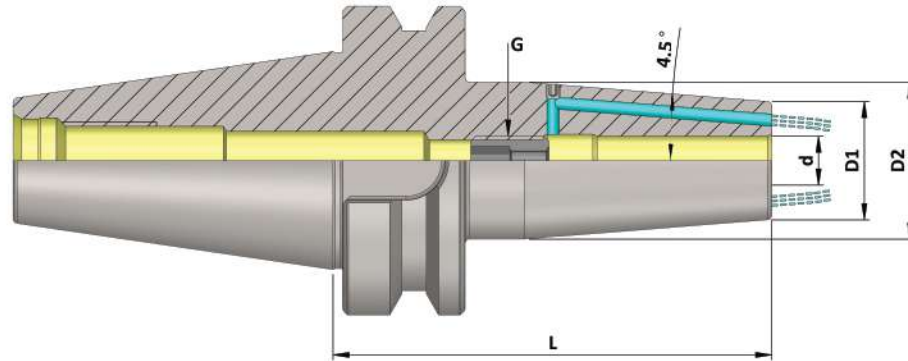
**(Balanced to 2.5 G 25000 RPM)**

Item Name	Item Code	ISO	d	D1	D2	G	L
KBT50 SFH14 100 AD/2.5G 25000 SL	K10308284148228	50	14	27	34	M10	100
KBT50 SFH14 120 AD/2.5G 25000 SL	K10308284162228	50	14	27	34	M10	120
KBT50 SFH14 160 AD/2.5G 25000 SL	K10308284175228	50	14	27	34	M10	160
KBT50 SFH16 100 AD/2.5G 25000 SL	K10308281148228	50	16	27	34	M12	100
KBT50 SFH16 120 AD/2.5G 25000 SL	K10308281162228	50	16	27	34	M12	120
KBT50 SFH16 160 AD/2.5G 25000 SL	K10308281175228	50	16	27	34	M12	160
KBT50 SFH18 100 AD/2.5G 25000 SL	K10308282148228	50	18	33	40	M12	100
KBT50 SFH18 120 AD/2.5G 25000 SL	K10308282162228	50	18	33	40	M12	120
KBT50 SFH18 160 AD/2.5G 25000 SL	K10308282175228	50	18	33	40	M12	160
KBT50 SFH20 100 AD/2.5G 25000 SL	K10308283148228	50	20	33	40	M16	100
KBT50 SFH20 120 AD/2.5G 25000 SL	K10308283162228	50	20	33	40	M16	120
KBT50 SFH20 160 AD/2.5G 25000 SL	K10308283175228	50	20	33	40	M16	160
KBT50 SFH25 110 AD/2.5G 25000 SL	K10308287156228	50	25	44	53	M16	110
KBT50 SFH25 120 AD/2.5G 25000 SL	K10308287162228	50	25	44	53	M16	120
KBT50 SFH25 160 AD/2.5G 25000 SL	K10308287175228	50	25	44	53	M16	160
KBT50 SFH32 110 AD/2.5G 25000 SL	K10308288156228	50	32	44	53	M16	110
KBT50 SFH32 120 AD/2.5G 25000 SL	K10308288162228	50	32	44	53	M16	120
KBT50 SFH32 160 AD/2.5G 25000 SL	K10308288175228	50	32	44	53	M16	160

Note: All Dimensions are in mm

Maximum Run out of the Internal Dia with respect to the External Taper 0.003 mm

BBT (MAS 403)  
Holders



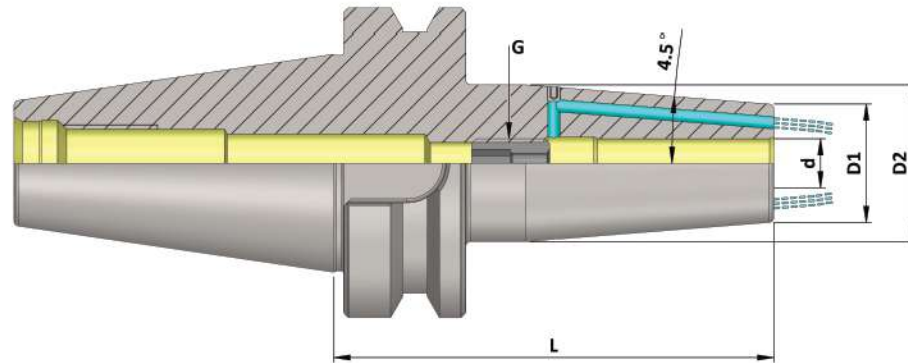
**KBT (SFH 4.5°) (FCC)**

**(Balanced to 2.5 G 25000 RPM)**

Item Name	Item Code	ISO	d	D1	D2	G	L
KBT30 SFH03 080 FCC 2.5G 25000 SL	K10307274131256	30	3	10	20	-	80
KBT30 SFH04 080 FCC 2.5G 25000 SL	K10307275131256	30	4	15	22	-	80
KBT30 SFH05 080 FCC 2.5G 25000 SL	K10307276131256	30	5	15	22	-	80
KBT30 SFH06 080 FCC 2.5G 25000 SL	K10307277131256	30	6	21	27	M5	80
KBT30 SFH08 080 FCC 2.5G 25000 SL	K10307285131256	30	8	21	27	M6	80
KBT30 SFH10 080 FCC 2.5G 25000 SL	K10307279131256	30	10	24	31	M8	80
KBT30 SFH12 080 FCC 2.5G 25000 SL	K10307280131256	30	12	24	31	M10	80
KBT30 SFH14 080 FCC 2.5G 25000 SL	K10307284131256	30	14	27	34	M10	80
KBT30 SFH16 080 FCC 2.5G 25000 SL	K10307281131256	30	16	27	34	M12	80
KBT30 SFH18 080 FCC 2.5G 25000 SL	K10307282131256	30	18	33	40	M12	80
KBT30 SFH20 080 FCC 2.5G 25000 SL	K10307283131256	30	20	33	40	M16	80

Note: All Dimensions are in mm

Maximum Run out of the Internal Dia with respect to the External Taper 0.003 mm



BKT (MAS 403)  
Holders

**KBT (SFH 4.5°) (FCC)**

**(Balanced to 2.5 G 25000 RPM)**

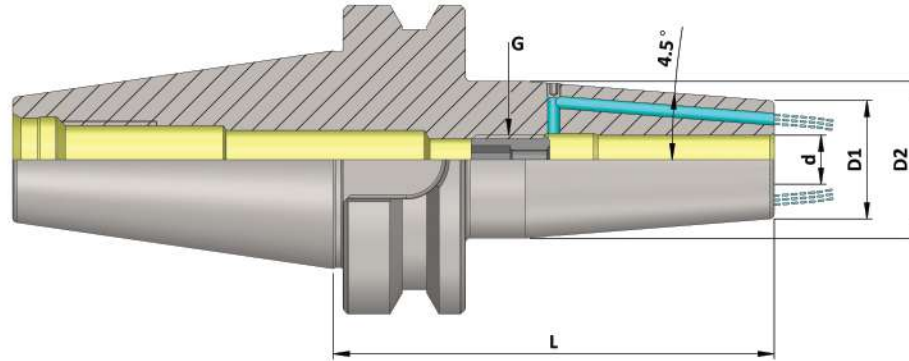
Item Name	Item Code	ISO	d	D1	D2	G	L
KBT40 SFH03 090 FCC 2.5G 25000 SL	K10291274140256	40	3	10	20	-	90
KBT40 SFH03 120 FCC 2.5G 25000 SL	K10291274162256	40	3	10	20	-	120
KBT40 SFH03 160 FCC 2.5G 25000 SL	K10291274175256	40	3	10	20	-	160
KBT40 SFH04 090 FCC 2.5G 25000 SL	K10291275140256	40	4	15	22	-	90
KBT40 SFH04 120 FCC 2.5G 25000 SL	K10291275162256	40	4	15	22	-	120
KBT40 SFH04 160 FCC 2.5G 25000 SL	K10291275175256	40	4	15	22	-	160
KBT40 SFH05 090 FCC 2.5G 25000 SL	K10291276140256	40	5	15	22	-	90
KBT40 SFH05 120 FCC 2.5G 25000 SL	K10291276162256	40	5	15	22	-	120
KBT40 SFH05 160 FCC 2.5G 25000 SL	K10291276175256	40	5	15	22	-	160
KBT40 SFH06 090 FCC 2.5G 25000 SL	K10291277140256	40	6	21	27	M5	90
KBT40 SFH06 120 FCC 2.5G 25000 SL	K10291277162256	40	6	21	27	M5	120
KBT40 SFH06 160 FCC 2.5G 25000 SL	K10291277175256	40	6	21	27	M5	160
KBT40 SFH08 090 FCC 2.5G 25000 SL	K10291285140256	40	8	21	27	M6	90
KBT40 SFH08 120 FCC 2.5G 25000 SL	K10291285162256	40	8	21	27	M6	120
KBT40 SFH08 160 FCC 2.5G 25000 SL	K10291285175256	40	8	21	27	M6	160
KBT40 SFH10 090 FCC 2.5G 25000 SL	K10291279140256	40	10	24	31	M8	90
KBT40 SFH10 120 FCC 2.5G 25000 SL	K10291279162256	40	10	24	31	M8	120
KBT40 SFH10 160 FCC 2.5G 25000 SL	K10291279175256	40	10	24	31	M8	160
KBT40 SFH12 090 FCC 2.5G 25000 SL	K10291280140256	40	12	24	31	M10	90
KBT40 SFH12 120 FCC 2.5G 25000 SL	K10291280162256	40	12	24	31	M10	120
KBT40 SFH12 160 FCC 2.5G 25000 SL	K10291280175256	40	12	24	31	M10	160

Note: All Dimensions are in mm

Continued...

Maximum Run out of the Internal Dia with respect to the External Taper 0.003 mm

BBT (MAS 403)  
 Holders



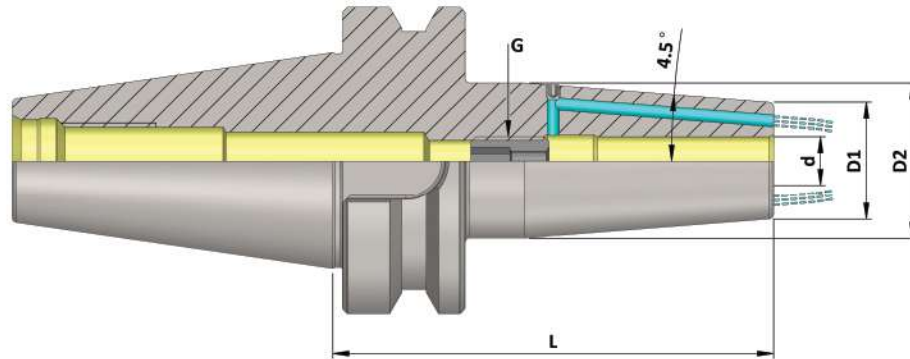
**KBT (SFH 4.5°) (FCC)**

**(Balanced to 2.5 G 25000 RPM)**

Item Name	Item Code	ISO	d	D1	D2	G	L
KBT40 SFH14 090 FCC 2.5G 25000 SL	K10291284140256	40	14	27	34	M10	90
KBT40 SFH14 120 FCC 2.5G 25000 SL	K10291284162256	40	14	27	34	M10	120
KBT40 SFH14 160 FCC 2.5G 25000 SL	K10291284175256	40	14	27	34	M10	160
KBT40 SFH16 090 FCC 2.5G 25000 SL	K10291281140256	40	16	27	34	M12	90
KBT40 SFH16 120 FCC 2.5G 25000 SL	K10291281162256	40	16	27	34	M12	120
KBT40 SFH16 160 FCC 2.5G 25000 SL	K10291281175256	40	16	27	34	M12	160
KBT40 SFH18 090 FCC 2.5G 25000 SL	K10291282140256	40	18	33	40	M12	90
KBT40 SFH18 120 FCC 2.5G 25000 SL	K10291282162256	40	18	33	40	M12	120
KBT40 SFH18 160 FCC 2.5G 25000 SL	K10291282175256	40	18	33	40	M12	160
KBT40 SFH20 090 FCC 2.5G 25000 SL	K10291283140256	40	20	33	40	M16	90
KBT40 SFH20 120 FCC 2.5G 25000 SL	K10291283162256	40	20	33	40	M16	120
KBT40 SFH20 160 FCC 2.5G 25000 SL	K10291283175256	40	20	33	40	M16	160
KBT40 SFH25 100 FCC 2.5G 25000 SL	K10291287148256	40	25	44	53	M16	100
KBT40 SFH25 120 FCC 2.5G 25000 SL	K10291287162256	40	25	44	53	M16	120
KBT40 SFH25 160 FCC 2.5G 25000 SL	K10291287175256	40	25	44	53	M16	160
KBT40 SFH32 100 FCC 2.5G 25000 SL	K10291288148256	40	32	44	53	M16	100
KBT40 SFH32 120 FCC 2.5G 25000 SL	K10291288162256	40	32	44	53	M16	120
KBT40 SFH32 160 FCC 2.5G 25000 SL	K10291288175256	40	32	44	53	M16	160

Note: All Dimensions are in mm

Maximum Run out of the Internal Dia with respect to the External Taper 0.003 mm



BKT (MAS 403)  
Holders

**KBT (SFH 4.5°) (FCC)**

**(Balanced to 2.5 G 25000 RPM)**

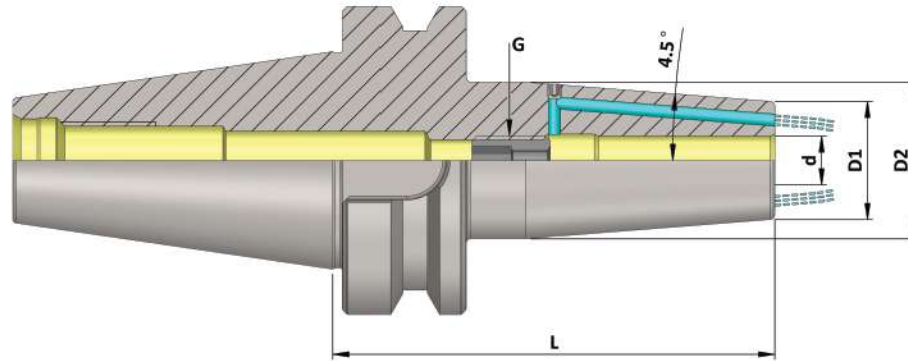
Item Name	Item Code	ISO	d	D1	D2	G	L
KBT50 SFH03 100 FCC 2.5G 25000 SL	K10308274148256	50	3	10	20	-	100
KBT50 SFH03 120 FCC 2.5G 25000 SL	K10308274162256	50	3	10	20	-	120
KBT50 SFH03 160 FCC 2.5G 25000 SL	K10308274175256	50	3	10	20	-	160
KBT50 SFH04 100 FCC 2.5G 25000 SL	K10308275148256	50	4	15	22	-	100
KBT50 SFH04 120 FCC 2.5G 25000 SL	K10308275162256	50	4	15	22	-	120
KBT50 SFH04 160 FCC 2.5G 25000 SL	K10308275175256	50	4	15	22	-	160
KBT50 SFH05 100 FCC 2.5G 25000 SL	K10308276148256	50	5	15	22	-	100
KBT50 SFH05 120 FCC 2.5G 25000 SL	K10308276162256	50	5	15	22	-	120
KBT50 SFH05 160 FCC 2.5G 25000 SL	K10308276175256	50	5	15	22	-	160
KBT50 SFH06 100 FCC 2.5G 25000 SL	K10308277148256	50	6	21	27	M5	100
KBT50 SFH06 120 FCC 2.5G 25000 SL	K10308277162256	50	6	21	27	M5	120
KBT50 SFH06 160 FCC 2.5G 25000 SL	K10308277175256	50	6	21	27	M5	160
KBT50 SFH08 100 FCC 2.5G 25000 SL	K10308285148256	50	8	21	27	M6	100
KBT50 SFH08 120 FCC 2.5G 25000 SL	K10308285162256	50	8	21	27	M6	120
KBT50 SFH08 160 FCC 2.5G 25000 SL	K10308285175256	50	8	21	27	M6	160
KBT50 SFH10 100 FCC 2.5G 25000SL	K10308279148207	50	10	24	31	M8	100
KBT50 SFH10 120 FCC 2.5G 25000 SL	K10308279162256	50	10	24	31	M8	120
KBT50 SFH10 160 FCC 2.5G 25000 SL	K10308279175256	50	10	24	31	M8	160
KBT50 SFH12 100 FCC 2.5G 25000 SL	K10308280148256	50	12	24	31	M10	100
KBT50 SFH12 120 FCC 2.5G 25000 SL	K10308280162256	50	12	24	31	M10	120
KBT50 SFH12 160 FCC 2.5G 25000 SL	K10308280175256	50	12	24	31	M10	160

Note: All Dimensions are in mm

Continued...

Maximum Run out of the Internal Dia with respect to the External Taper 0.003 mm

BBT (MAS 403)  
 Holders



**KBT (SFH 4.5°) (FCC)**

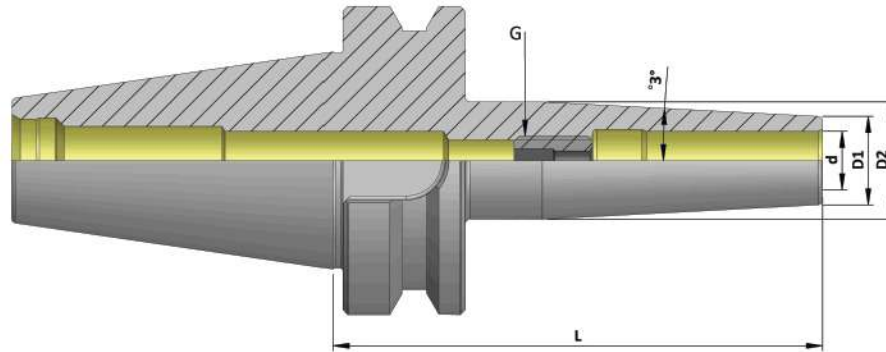
**(Balanced to 2.5 G 25000 RPM)**

Item Name	Item Code	ISO	d	D1	D2	G	L
KBT50 SFH14 100 FCC 2.5G 25000 SL	K10308284148256	50	14	27	34	M10	100
KBT50 SFH14 120 FCC 2.5G 25000 SL	K10308284162256	50	14	27	34	M10	120
KBT50 SFH14 160 FCC 2.5G 25000 SL	K10308284175256	50	14	27	34	M10	160
KBT50 SFH16 100 FCC 2.5G 25000 SL	K10308281148256	50	16	27	34	M12	100
KBT50 SFH16 120 FCC 2.5G 25000 SL	K10308281162256	50	16	27	34	M12	120
KBT50 SFH16 160 FCC 2.5G 25000 SL	K10308281175256	50	16	27	34	M12	160
KBT50 SFH18 100 FCC 2.5G 25000 SL	K10308282148256	50	18	33	40	M12	100
KBT50 SFH18 120 FCC 2.5G 25000 SL	K10308282162256	50	18	33	40	M12	120
KBT50 SFH18 160 FCC 2.5G 25000 SL	K10308282175256	50	18	33	40	M12	160
KBT50 SFH20 100 FCC 2.5G 25000 SL	K10308283148256	50	20	33	40	M16	100
KBT50 SFH20 120 FCC 2.5G 25000 SL	K10308283162256	50	20	33	40	M16	120
KBT50 SFH20 160 FCC 2.5G 25000 SL	K10308283175256	50	20	33	40	M16	160
KBT50 SFH25 110 FCC 2.5G 25000 SL	K10308287156256	50	25	44	53	M16	110
KBT50 SFH25 120 FCC 2.5G 25000 SL	K10308287162256	50	25	44	53	M16	120
KBT50 SFH25 160 FCC 2.5G 25000 SL	K10308287175256	50	25	44	53	M16	160
KBT50 SFH32 110 FCC 2.5G 25000 SL	K10308288156256	50	32	44	53	M16	110
KBT50 SFH32 120 FCC 2.5G 25000 SL	K10308288162256	50	32	44	53	M16	120
KBT50 SFH32 160 FCC 2.5G 25000 SL	K10308288175256	50	32	44	53	M16	160

Note: All Dimensions are in mm



Maximum Run out of the Internal Dia with respect to the External Taper 0.003 mm



BKT (MAS 403)  
Holders

**KBT (MAS 403) (SFH SLIM 3°) (AD)**

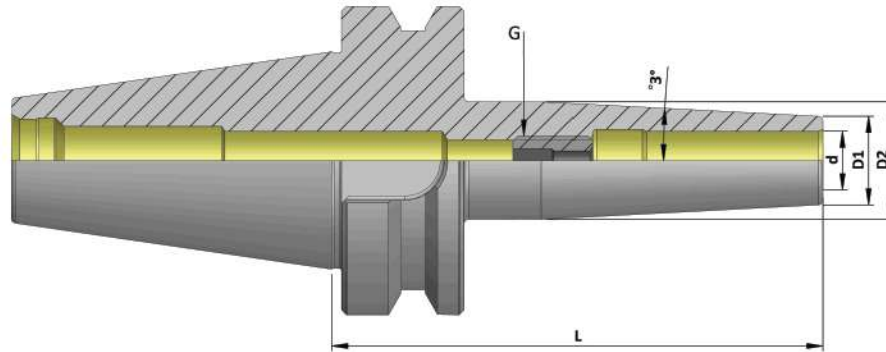
**(Balanced to 2.5 G 25000 RPM)**

Item Name	Item Code	ISO	d	D1	D2	G	L
KBT30 SFH03 080 SLIM 2.5G 25000SL	K10307274131258	30	3	9	15	-	80
KBT30 SFH04 080 SLIM 2.5G 25000SL	K10307275131258	30	4	10	16	-	80
KBT30 SFH05 080 SLIM 2.5G 25000SL	K10307276131258	30	5	11	17	-	80
KBT30 SFH06 080 SLIM 2.5G 25000SL	K10307277131258	30	6	12	18	M5	80
KBT30 SFH08 080 SLIM 2.5G 25000SL	K10307285131258	30	8	14	20	M6	80
KBT30 SFH10 080 SLIM 2.5G 25000SL	K10307279131258	30	10	16	22	M8	80
KBT30 SFH12 080 SLIM 2.5G 25000SL	K10307280131258	30	12	18	24	M10	80
KBT30 SFH14 080 SLIM 2.5G 25000SL	K10307284131258	30	14	20	26	M10	80
KBT30 SFH16 080 SLIM 2.5G 25000SL	K10307281131258	30	16	22	28	M12	80
KBT30 SFH18 080 SLIM 2.5G 25000SL	K10307282131258	30	18	24	30	M12	80
KBT30 SFH20 080 SLIM 2.5G 25000SL	K10307283131258	30	20	26	32	M16	80

Note: All Dimensions are in mm

Maximum Run out of the Internal Dia with respect to the External Taper 0.003 mm

BBT (MAS 403)  
Holders



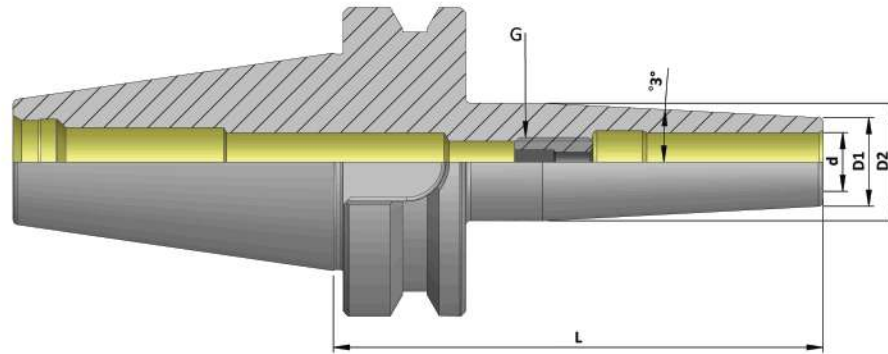
**KBT (MAS 403) (SFH SLIM 3°) (AD)**

**(Balanced to 2.5 G 25000 RPM)**

Item Name	Item Code	ISO	d	D1	D2	G	L
KBT40 SFH03 090 SLIM 2.5G 25000 SL	K10291274140258	40	3	9	15	-	90
KBT40 SFH03 120 SLIM 2.5G 25000 SL	K10291274162258	40	3	9	18	-	120
KBT40 SFH04 090 SLIM 2.5G 25000 SL	K10291275140258	40	4	10	16	-	90
KBT40 SFH04 120 SLIM 2.5G 25000 SL	K10291275162258	40	4	10	19	-	120
KBT40 SFH05 090 SLIM 2.5G 25000 SL	K10291276140258	40	5	11	17	-	90
KBT40 SFH05 120 SLIM 2.5G 25000 SL	K10291276162258	40	5	11	20	-	120
KBT40 SFH06 090 SLIM 2.5G 25000 SL	K10291277140258	40	6	12	18	M5	90
KBT40 SFH06 120 SLIM 2.5G 25000 SL	K10291277162258	40	6	12	21	M5	120
KBT40 SFH06 160 SLIM 2.5G 25000 SL	K10291277175258	40	6	12	25	M5	160
KBT40 SFH08 090 SLIM 2.5G 25000 SL	K10291285140258	40	8	14	20	M6	90
KBT40 SFH08 120 SLIM 2.5G 25000 SL	K10291285162258	40	8	14	23	M6	120
KBT40 SFH08 160 SLIM 2.5G 25000 SL	K10291285175258	40	8	14	27	M6	160
KBT40 SFH10 090 SLIM 2.5G 25000 SL	K10291279140258	40	10	16	22	M8	90
KBT40 SFH10 120 SLIM 2.5G 25000 SL	K10291279162258	40	10	16	25	M8	120
KBT40 SFH10 160 SLIM 2.5G 25000 SL	K10291279175258	40	10	16	29	M8	160
KBT40 SFH12 090 SLIM 2.5G 25000 SL	K10291280140258	40	12	18	24	M10	90
KBT40 SFH12 120 SLIM 2.5G 25000 SL	K10291280162258	40	12	18	27	M10	120
KBT40 SFH12 160 SLIM 2.5G 25000 SL	K10291280175258	40	12	18	31	M10	160
KBT40 SFH14 090 SLIM 2.5G 25000 SL	K10291284140258	40	14	20	26	M10	90
KBT40 SFH14 120 SLIM 2.5G 25000 SL	K10291284162258	40	14	20	29	M10	120
KBT40 SFH14 160 SLIM 2.5G 25000 SL	K10291284175258	40	14	20	32	M10	160
KBT40 SFH16 090 SLIM 2.5G 25000 SL	K10291281140258	40	16	22	28	M12	90
KBT40 SFH16 120 SLIM 2.5G 25000 SL	K10291281162258	40	16	22	31	M12	120
KBT40 SFH16 160 SLIM 2.5G 25000 SL	K10291281175258	40	16	22	34	M12	160
KBT40 SFH18 090 SLIM 2.5G 25000 SL	K10291282140258	40	18	24	30	M12	90
KBT40 SFH18 120 SLIM 2.5G 25000 SL	K10291282162258	40	18	24	33	M12	120
KBT40 SFH18 160 SLIM 2.5G 25000 SL	K10291282175258	40	18	24	36	M12	160
KBT40 SFH20 090 SLIM 2.5G 25000 SL	K10291283140258	40	20	26	32	M16	90
KBT40 SFH20 120 SLIM 2.5G 25000 SL	K10291283162258	40	20	26	35	M16	120
KBT40 SFH20 160 SLIM 2.5G 25000 SL	K10291283175258	40	20	26	38	M16	160

Note: All Dimensions are in mm

Maximum Run out of the Internal Dia with respect to the External Taper 0.003 mm



**KBT (MAS 403) (SFH SLIM 3°) (AD)**

**(Balanced to 2.5 G 25000 RPM)**

Item Name	Item Code	ISO	d	D1	D2	G	L
KBT50 SFH03 100 SLIM 2.5G 25000 SL	K10308274148258	50	3	9	15.5	-	100
KBT50 SFH03 120 SLIM 2.5G 25000 SL	K10308274162258	50	3	9	17.5	-	120
KBT50 SFH04 100 SLIM 2.5G 25000 SL	K10308275148258	50	4	10	16.5	-	100
KBT50 SFH04 120 SLIM 2.5G 25000 SL	K10308275162258	50	4	10	18.5	-	120
KBT50 SFH05 100 SLIM 2.5G 25000 SL	K10308276148258	50	5	11	17.5	-	100
KBT50 SFH05 120 SLIM 2.5G 25000 SL	K10308276162258	50	5	11	19.5	-	120
KBT50 SFH06 100 SLIM 2.5G 25000 SL	K10308277148258	50	6	12	18.5	M5	100
KBT50 SFH06 120 SLIM 2.5G 25000 SL	K10308277162258	50	6	12	20.5	M5	120
KBT50 SFH06 160 SLIM 2.5G 25000 SL	K10308277175258	50	6	12	25	M5	160
KBT50 SFH08 100 SLIM 2.5G 25000 SL	K10308285148258	50	8	14	20.5	M6	100
KBT50 SFH08 120 SLIM 2.5G 25000 SL	K10308285162258	50	8	14	22.5	M6	120
KBT50 SFH08 160 SLIM 2.5G 25000 SL	K10308285175258	50	8	14	27	M6	160
KBT50 SFH10 100 SLIM 2.5G 25000 SL	K10308279148258	50	10	16	22.5	M8	100
KBT50 SFH10 120 SLIM 2.5G 25000 SL	K10308279162258	50	10	16	24.5	M8	120
KBT50 SFH10 160 SLIM 2.5G 25000 SL	K10308279175258	50	10	16	29	M8	160
KBT50 SFH12 100 SLIM 2.5G 25000 SL	K10308280148258	50	12	18	24.5	M10	100
KBT50 SFH12 120 SLIM 2.5G 25000 SL	K10308280162258	50	12	18	26.5	M10	120
KBT50 SFH12 160 SLIM 2.5G 25000 SL	K10308280175258	50	12	18	31	M10	160
KBT50 SFH14 100 SLIM 2.5G 25000 SL	K10308284148258	50	14	20	26	M10	100
KBT50 SFH14 120 SLIM 2.5G 25000 SL	K10308284162258	50	14	20	29	M10	120
KBT50 SFH14 160 SLIM 2.5G 25000 SL	K10308284175258	50	14	20	32	M10	160
KBT50 SFH16 100 SLIM 2.5G 25000 SL	K10308281148258	50	16	22	28	M12	100
KBT50 SFH16 120 SLIM 2.5G 25000 SL	K10308281162258	50	16	22	31	M12	120
KBT50 SFH16 160 SLIM 2.5G 25000 SL	K10308281175258	50	16	22	34	M12	160
KBT50 SFH18 100 SLIM 2.5G 25000 SL	K10308282148258	50	18	24	30	M12	100
KBT50 SFH18 120 SLIM 2.5G 25000 SL	K10308282162258	50	18	24	33	M12	120
KBT50 SFH18 160 SLIM 2.5G 25000 SL	K10308282175258	50	18	24	36	M12	160
KBT50 SFH20 100 SLIM 2.5G 25000 SL	K10308283148258	50	20	26	32	M16	100
KBT50 SFH20 120 SLIM 2.5G 25000 SL	K10308283162258	50	20	26	35	M16	120
KBT50 SFH20 160 SLIM 2.5G 25000 SL	K10308283175258	50	20	26	38	M16	160

Note: All Dimensions are in mm

## ◆ Features :

- KTA "Minimum Length Compensation Tapping Chuck (MLC)" For Synchronised (Rigid) Tapping Cycle.
- Best suitable for Die & Mould Industry.
- Compression & Expansion +/- 0.5mm
- High Concentricity Enables High Speed Tapping.
- Positive Clamping Through ER Tap Collet.

## ◆ Technical Details :

- "MLC" Tapping Chucks to be used with CNC Machines, having Synchronised Tapping cycle.
- In this case, Rigid Tapping cycle takes care of tap pitch controlling the feed, spindle speed and feed. So, theoretically, ordinary holder without any compensation also should be suitable for performing the process.
- ◆ But by law of theory, following factors they do affect tapping quality, tap life etc.
  1. Dynamics of machine
  2. Synchronisation of spindle speed & feed.
  3. During Change of Spindle, Rotational direction and feed direction.
  4. Pitch error on Tap / Tolerance on Pitch

## ◆ This will lead to :

1. Less Tap life because of Flank wear ( one side)
2. Damaged Flanks on threads on the work piece
3. Threads not answering to Gauge.

◆ All above errors can be taken care by using ' MLC '

◆ KTA 'MLC' Tapping Chucks with +/- 0.5 mm compensation.

## ◆ Available In Following Range :

- ER 16 : M3 to M12
- ER 20 : M3 to M16
- ER 25 : M3 to M20
- ER 32 : M4 to M27
- ER 40 : M6 to M33

## ◆ Available In Mountings :

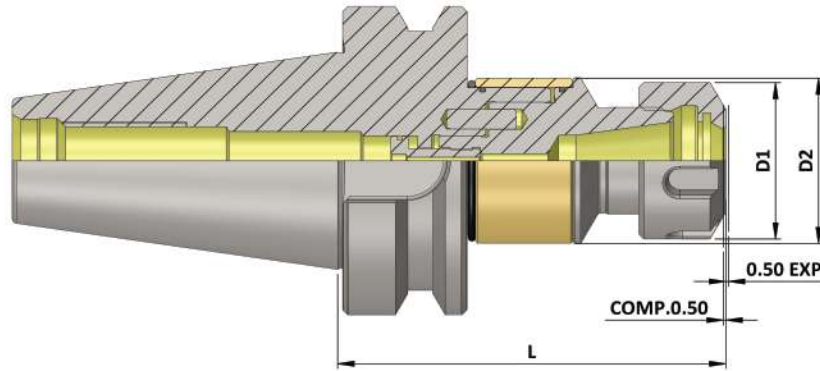
- BT (MAS 403) (DIN ISO 7388 - 2)
- KBT (MAS 403)
- SK (DIN 69871) (DIN ISO 7388 - 1)
- HSK-A (DIN 69893-1)
- CAT (ANSI B 5.50)
- Cylindrical Shank

## ◆ Balancing :

- Main Body Balanced to 2.5G 25000 RPM



Maximum Run out of the Internal Taper with respect to the External Taper 0.020 mm



BRT (MAS 403)  
Holders

**KBT (MLC)**

Item Name	Item Code	ISO	Capacity	Clamping Range	Nut Size	D1	D2	L	Comp.	Exp.
KBT40 ER 16 079 AD MLC	K10291149551260	40	M3-M12	1-10	ER 16	32	34	79	0.50	0.50
KBT40 ER 20 085 AD MLC	K10291150135260	40	M3-M16	3.5-10	ER 20	35	34	85	0.50	0.50
KBT40 ER 25 089 AD MLC	K10291151139260	40	M3-M20	3.5-16	ER 25	42	34	89	0.50	0.50
KBT40 ER 32 110 AD MLC	K10291152156260	40	M4-M27	3.5-20	ER 32	50	45	110	0.50	0.50
KBT40 ER 40 115 AD MLC	K10291153159260	40	M6-M33	6-26	ER 40	63	62	115	0.50	0.50
KBT50 ER 16 095 AD MLC	K10308149145260	50	M3-M12	1-10	ER 16	32	34	95	0.50	0.50
KBT50 ER 20 100 AD MLC	K10308150148260	50	M3-M16	3.5-10	ER 20	35	34	100	0.50	0.50
KBT50 ER 25 110 AD MLC	K10308151156260	50	M3-M20	3.5-16	ER 25	42	34	110	0.50	0.50
KBT50 ER 32 120 AD MLC	K10308152162260	50	M4-M27	3.5-20	ER 32	50	45	120	0.50	0.50
KBT50 ER 40 120 AD MLC	K10308153162260	50	M6-M33	6-26	ER 40	63	62	120	0.50	0.50

**Accessories:**



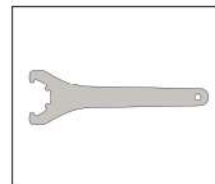
Tap Collet ER G  
Ref. Page No. 238-240



Q.C.Tap Collet QCTC  
Ref. Page No. 243-251



ER Nut  
Ref. Page No. 220-221



ER Spanner  
Ref. Page No. 222

Note: All Dimensions are in mm



## Quick Change Tapping Chuck (KWFLK)

### **KWFLK For CNC Machines**

#### ◆ **Application :**

- Most Suitable Tapping Chuck for CNC Machines, Manual Drilling Machines, Lathe Machines & Milling machines.

#### ◆ **Features:**

- Quick Change feature to suit KTA - Quick Change Adaptors with and without safety clutch.
- Length compensation to compensate difference in pitch between positive feed and the pitch of the tap.
- The chuck is equipped with an adjustable device to increase the cutting pressure to ensure positive start when tapping cycle commences.
- Chucks WFLK can be applied horizontal or vertical and are used for right or left hand threads.

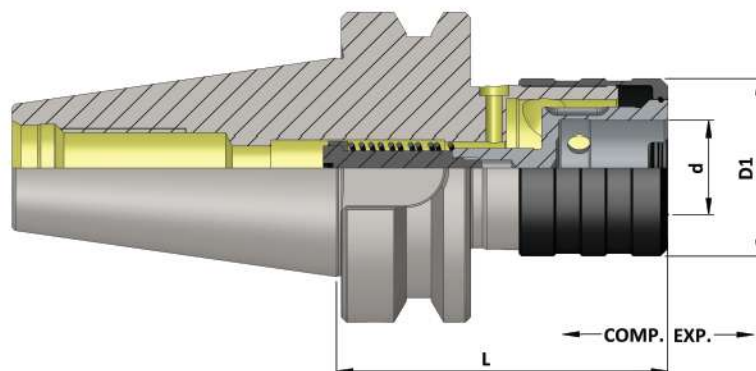
#### ◆ **Available In Mountings :**

- BT (MAS 403) (DIN ISO 7388 - 2)
- KBT (MAS 403)
- SK (DIN 69871) (DIN ISO 7388 - 1)
- HSK-A (DIN 69893-1)
- CAT (ANSI B 5.50)
- HSK-F (DIN 6989-1)
- Cylindrical Shank
- Morse Taper Shank

#### ◆ **Available In Sizes:**

- KWFLK1
- KWFLK2
- KWFLK3
- KWFLK4

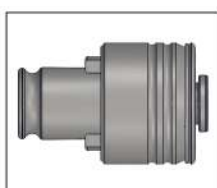




**KBT (KWFLK)**

Item Name	Item Code	ISO	Capacity	Suitable Adaptor	Comp.	Exp.	d	D1	L
KBT30 KWFLK1 064	K10307169120127	30	M3-M12	KWES1B	7.50	7.50	19	36	64
KBT40 KWFLK1 67.5	K10291169124127	40	M3-M12	KWES1B	7.50	7.50	19	36	67.5
KBT40 KWFLK2 94.5	K10291169144127	40	M8-M20	KWES2B	12.50	12.50	31	53	94.5
KBT40 KWFLK3 164.5	K10291171176127	40	M14-M33	KWES3B	20.00	20.00	48	78	164.5
KBT40 KWFLK4 180.0	K10291172478127	40	M22-M48	KWES4B	22.50	22.50	60	96	180.0
KBT50 KWFLK1 77.0	K10308169279127	50	M3-M12	KWES1B	7.50	7.50	19	36	77
KBT50 KWFLK2 102.5	K10308170280127	50	M8-M20	KWES2B	12.50	12.50	31	53	102.5
KBT50 KWFLK3 142.5	K10308171171127	50	M14-M33	KWES3B	20.00	20.00	48	78	142.5
KBT50 KWFLK4 164.5	K10308172176127	50	M22-M48	KWES4B	22.50	22.50	60	96	164.5

**Accessories:**



Tap Adaptor KWES..B & KWESK..B  
Ref. Page No. 260-279



Tap Adaptor  
Reduction Socket KWRE  
Ref. Page No. 280

**Note:** All Dimensions are in mm  
For Tap Shank Dimension & Recommended Torque Values Ref. Page No. 281-284